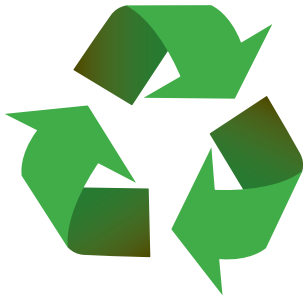




EZ EDGE™ TRANSITIONS

www.SafePathProducts.com | 800.497.2003
311 Otterson Drive Suite 10. Chico. CA. 95928





EZ Edge™ Rubber Transition Product Line:

In this catalog you will find the world's largest selection of recycled rubber transition ramps. Designed for durability and safety, these ramps can be used in the harshest conditions for both exterior and interior applications for commercial and residential purposes.

We were the first to receive a U.S. Patent for recycled rubber transitions and have been supplying the architectural and building industry for over 20 years with high quality, long lasting barrier removal products. All EZ Edge™ transition products come with a 10 year standard warranty and have been featured on national programs such the History Channel and This Old House.

SafePath™ is recognized as the leader in "green product" barrier removal products, which are made from 100% post-consumer recycled tire rubber material. Only the highest quality recycled material is allowed in our products and we guarantee each and every product produced for workmanship, durability, safety and years of maintenance free use.

Table of Contents

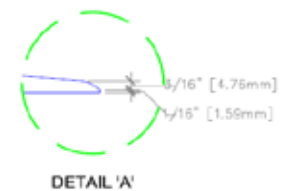
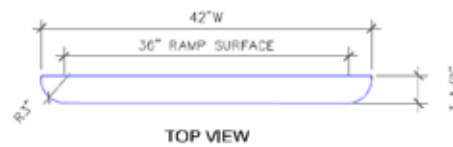
Intro.....	pg. 2
EZ Edge™ ramp selection	pg. 4–39
Installation Instructions	pg. 40
Material Safety Data Sheet.....	pg. 41
Specification Sheet	pg. 42–46



EZ Edge Transitions™

RAEZ 0010 1/2"H

Product Title: EZ Edge Transition
Model No. RAEZ 0010
UPC: 636585100103
Product Dimensions: 1/2" H x 3-1/2" D x 42" L
Carton Dimensions: 2-1/4" H x 8-1/2" W x 43" L
Freight Class: 55
Lead Time: 1-3 Business Days
Product Weight: 3 Lbs.
Ship Weight: 4.5 Lbs.
Product Color: Black
MRSP:
Comments:
D= Depth of Product



Made from 100% Recycled Rubber-perfect for exterior, interior, residential and commercial applications, these ramps have no load weight limitations, unlike aluminum ramp products.

MADE in the USA



311 OTTERSON DRIVE BLDG. 10 CHICO, CA 95926
Tel 530-893-1596 Fax 530-893-1593 Toll Free 800-497-2003
www.SafePathProducts.com



EZ EdgeTM Transitions

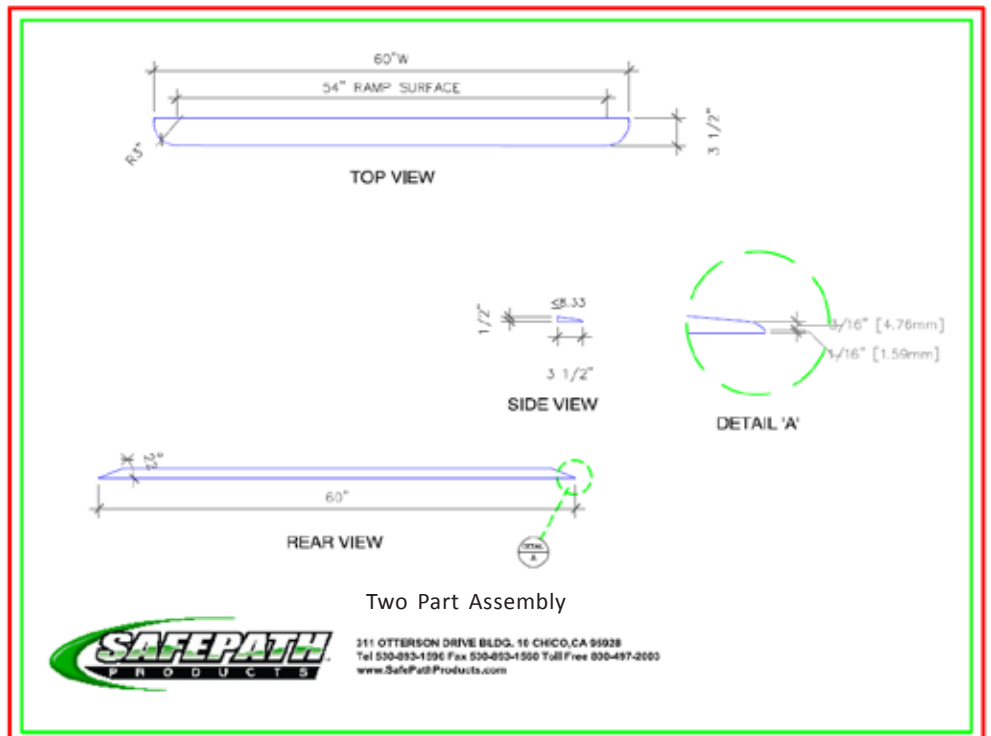
RAEZ 0020 1/2"H

Product Title: EZ Edge Transition
Model No. RAEZ 0020
UPC: 636585100110
Product Dimensions: 1/2" H x 3-1/2" D x 60" L
Carton Dimensions: 2-1/4" H x 8-1/2" W x 43" L
Freight Class: 55
Lead Time: 1-3 Business Days
Product Weight: 3.5 Lbs.
Ship Weight: 5 Lbs.
Product Color: Black
MRSP:
Comments: Two Part Assembly
D= Depth of Product



Made from 100% Recycled Rubber-perfect for exterior, interior, residential and commercial applications, these ramps have no load weight limitations, unlike aluminum ramp products.

MADE in the USA





EZ Edge Transitions™

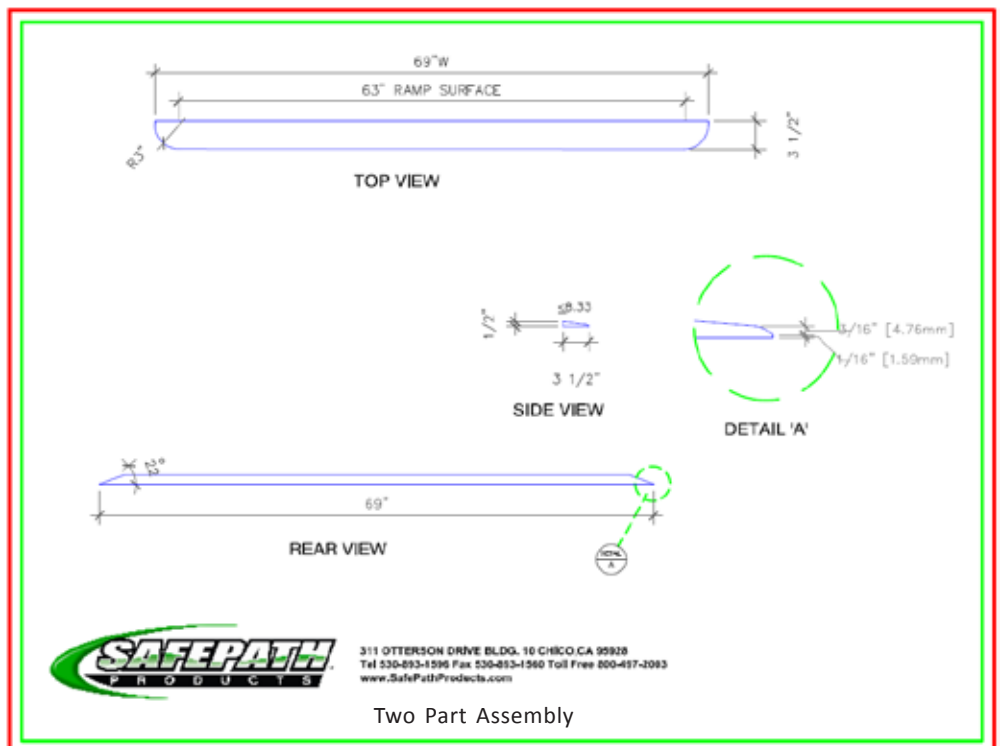
RAEZ 0030 1/2"H

Product Title: EZ Edge Transition
Model No. RAEZ 0030
UPC: 636585100127
Product Dimensions: 1/2" H x 3-1/2" D x 69" L
Carton Dimensions: 2-1/4" H x 8-1/2" W x 43" L
Freight Class: 55
Lead Time: 1-3 Business Days
Product Weight: 4 Lbs.
Ship Weight: 5.5 Lbs.
Product Color: Black
MRSP:
Comments: Two Part Assembly
D= Depth of Product



Made from 100% Recycled Rubber-perfect for exterior, interior, residential and commercial applications, these ramps have no load weight limitations, unlike aluminum ramp products.

MADE in the USA






EZ Edge Transitions™

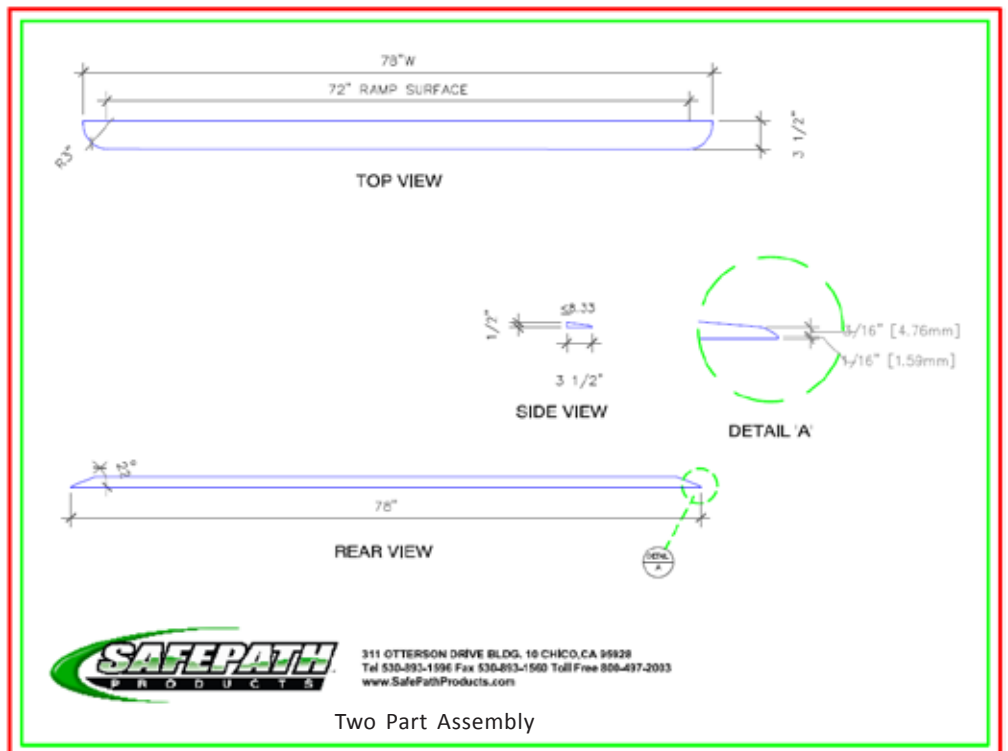
RAEZ 0040 1/2"H

Product Title:
EZ Edge Transition
Model No.
RAEZ 0040
UPC:
636585100134
Product Dimensions:
1/2" H x 3-1/2" D x 78" L
Carton Dimensions:
2-1/4" H x 8-1/2" W x 43" L
Freight Class:
55
Lead Time:
1-3 Business Days
Product Weight:
5.5 Lbs.
Ship Weight:
7 Lbs.
Product Color:
Black
MRSP:
Comments:
Two Part Assembly
D= Depth of Product



Made from 100% Recycled Rubber-perfect for exterior, interior, residential and commercial applications, these ramps have no load weight limitations, unlike aluminum ramp products.

MADE in the USA 





EZ Edge Transitions™

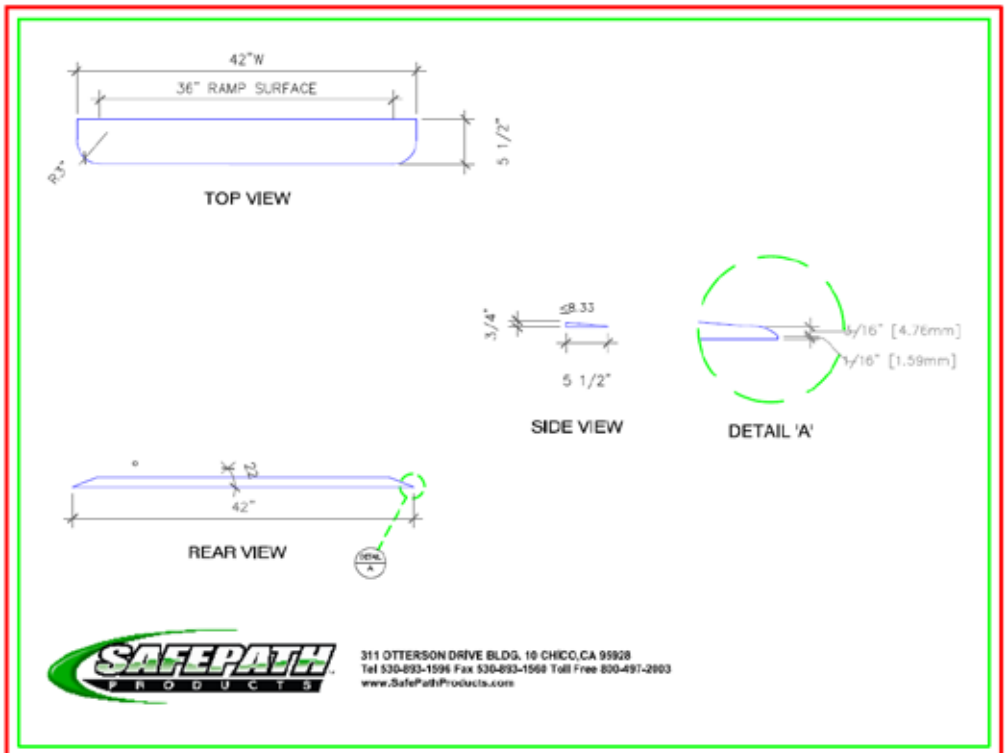
RAEZ 0050 3/4" H

Product Title: EZ Edge Transition
Model No. RAEZ 0050
UPC: 636585100141
Product Dimensions: 3/4" H x 5-1/2" D x 42" L
Carton Dimensions: 2-1/4" H x 8-1/2" W x 43" L
Freight Class: 55
Lead Time: 1-3 Business Days
Product Weight: 5 Lbs.
Ship Weight: 6.5 Lbs.
Product Color: Black
MRSP:
Comments:
D= Depth of Product



Made from 100% Recycled Rubber-perfect for exterior, interior, residential and commercial applications, these ramps have no load weight limitations, unlike aluminum ramp products.

MADE in the USA






EZ Edge Transitions™

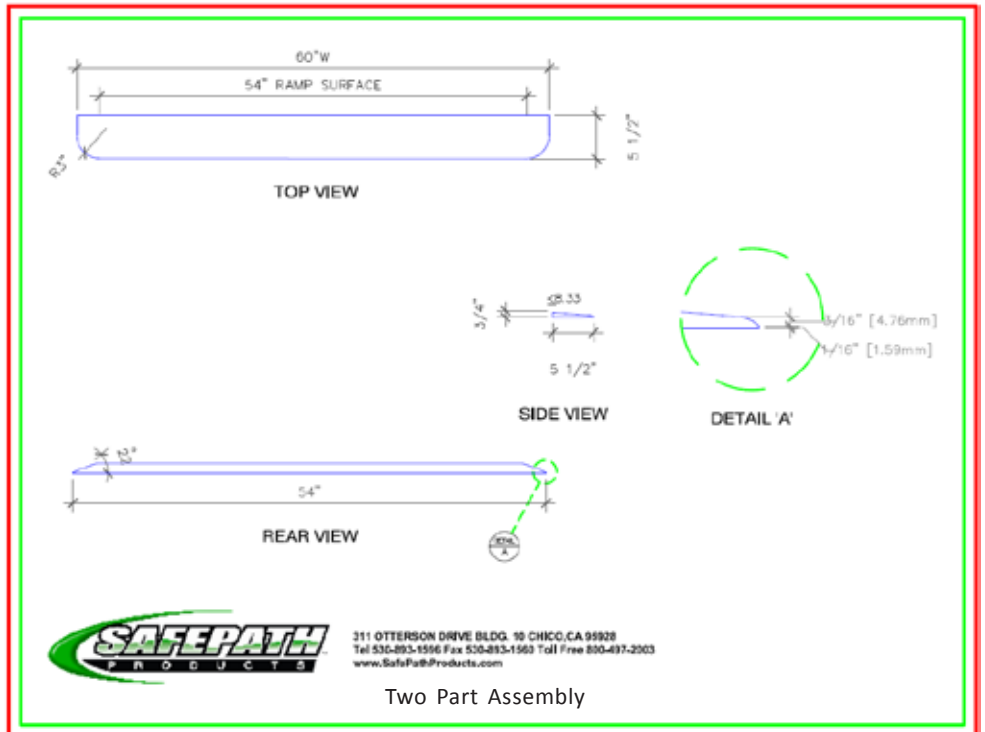
RAEZ 0060 3/4" H

Product Title: EZ Edge Transition
Model No. RAEZ 0060
UPC: 636585100158
Product Dimensions: 3/4" H x 5-1/2" D x 60" L
Carton Dimensions: 2-1/4" H x 8-1/2" W x 43" L
Freight Class: 55
Lead Time: 1-3 Business Days
Product Weight: 6.5 Lbs.
Ship Weight: 8 Lbs.
Product Color: Black
MRSP:
Comments: Two Part Assembly D= Depth of Product



Made from 100% Recycled Rubber-perfect for exterior, interior, residential and commercial applications, these ramps have no load weight limitations, unlike aluminum ramp products.

MADE in the USA 





EZ EdgeTM Transitions

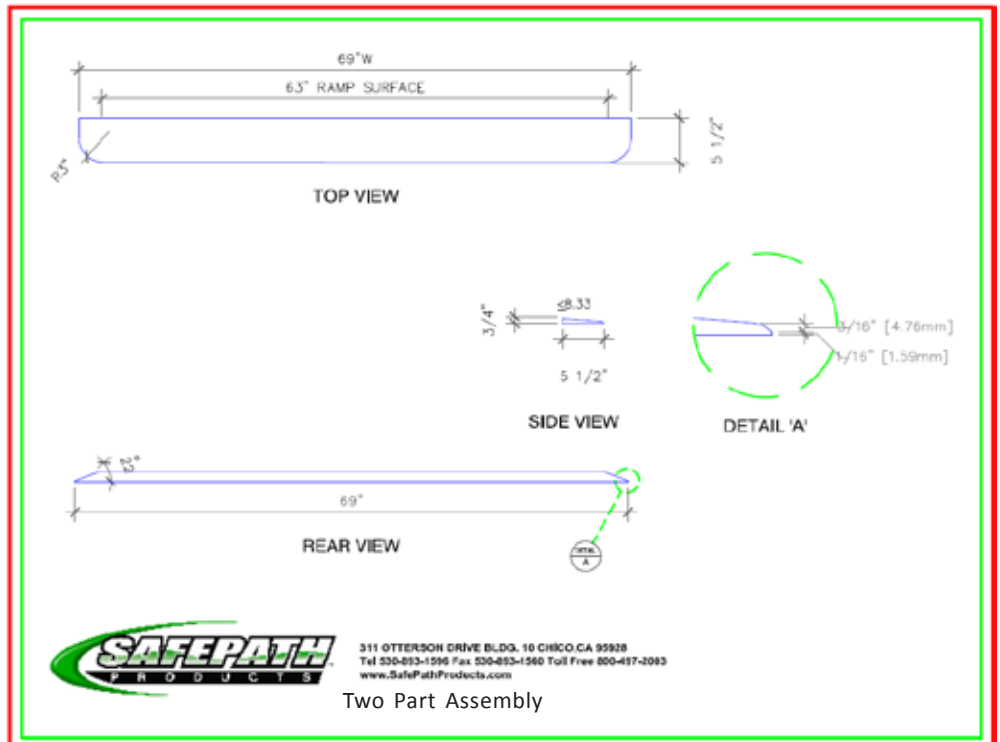
RAEZ 0070 3/4" H

Product Title: EZ Edge Transition
Model No. RAEZ 0070
UPC: 636585100165
Product Dimensions: 3/4" H x 5-1/2" D x 69" L
Carton Dimensions: 2-1/4" H x 8-1/2" W x 43" L
Freight Class: 55
Lead Time: 1-3 Business Days
Product Weight: 7.5 Lbs.
Ship Weight: 9 Lbs.
Product Color: Black
MRSP:
Comments: Two Part Assembly D= Depth of Product



Made from 100% Recycled Rubber-perfect for exterior, interior, residential and commercial applications, these ramps have no load weight limitations, unlike aluminum ramp products.

MADE in the USA

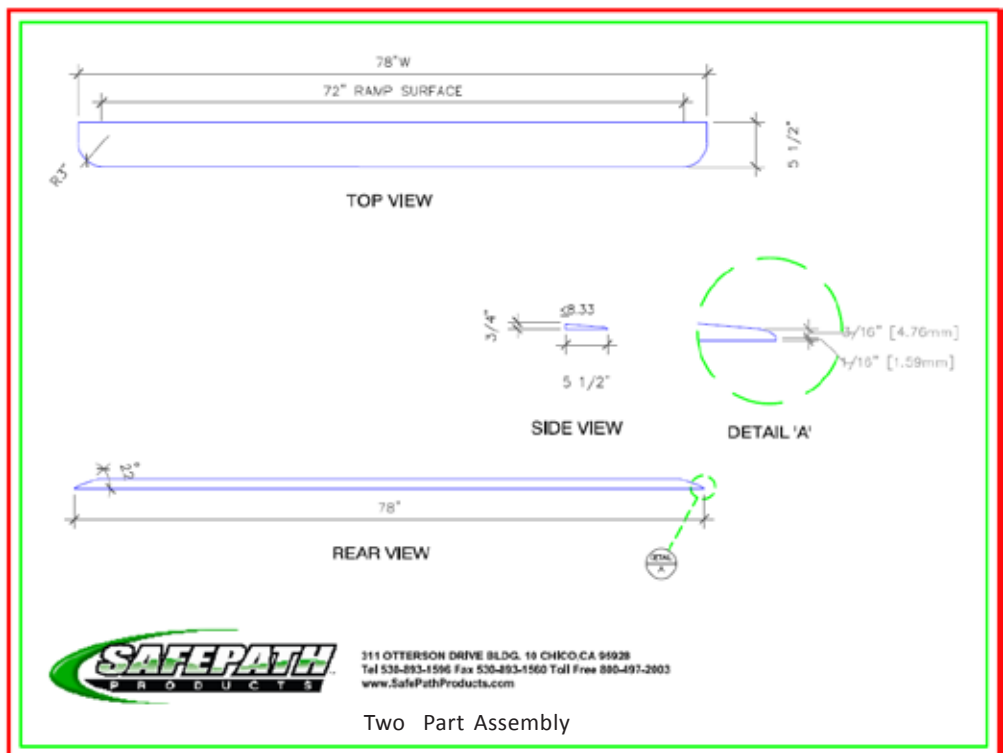




EZ Edge Transitions™

RAEZ 0080 3/4" H

Product Title: EZ Edge Transition
Model No. RAEZ 0080
UPC: 636585100172
Product Dimensions: 3/4" H x 5-1/2" D x 78" L
Carton Dimensions: 2-1/4" H x 8-1/2" W x 43" L
Freight Class: 55
Lead Time: 1-3 Business Days
Product Weight: 9.5 Lbs.
Ship Weight: 11 Lbs.
Product Color: Black
MRSP:
Comments: Two Part Assembly D= Depth of Product



Made from 100% Recycled Rubber-perfect for exterior, interior, residential and commercial applications, these ramps have no load weight limitations, unlike aluminum ramp products.

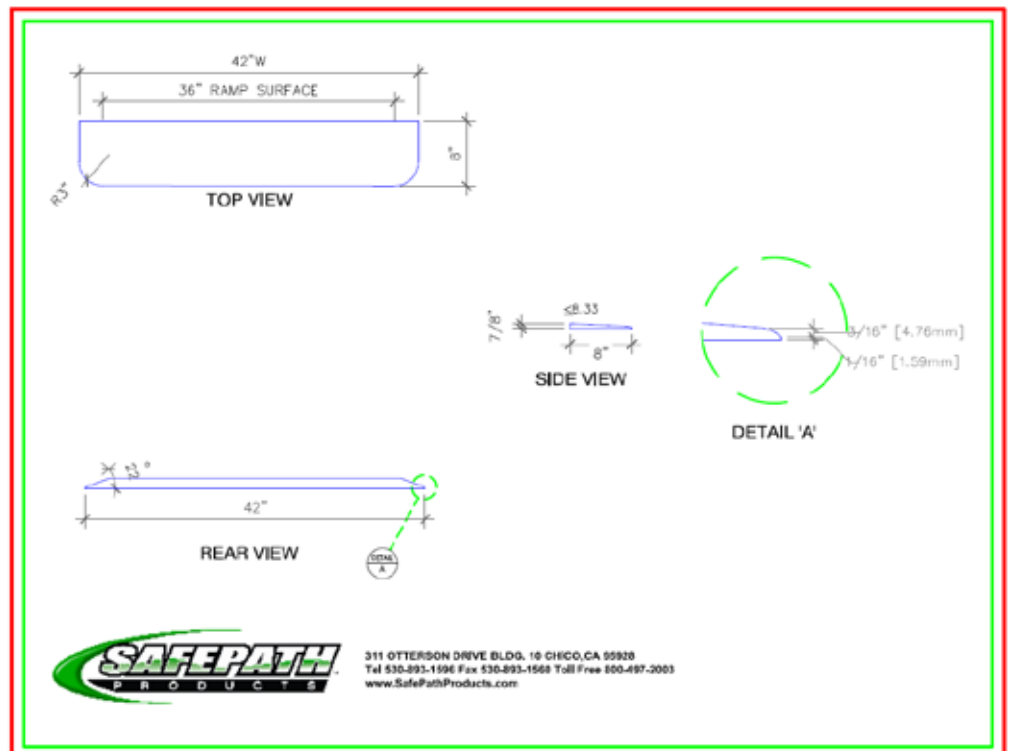
MADE in the USA



EZ Edge Transitions™

RAEZ 0110 7/8" H

Product Title: EZ Edge Transition
Model No. RAEZ0110
UPC: 636585100189
Product Dimensions: 7/8" H x 8" D x 42" L
Carton Dimensions: 2-1/4" H x 8-1/2" W x 43" L
Freight Class: 55
Lead Time: 1-3 Business Days
Product Weight: 7.5 Lbs.
Ship Weight: 9 Lbs.
Product Color: Black
MRSP:
Comments:
D= Depth of Product



Made from 100% Recycled Rubber-perfect for exterior, interior, residential and commercial applications, these ramps have no load weight limitations, unlike aluminum ramp products.

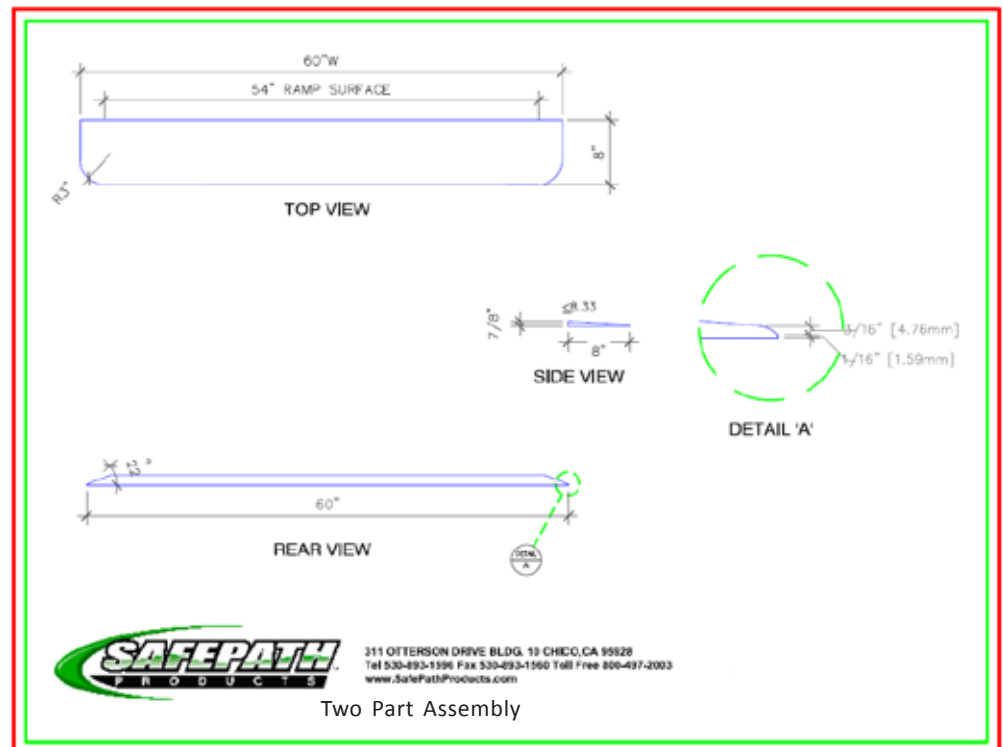
MADE in the USA



EZ Edge Transitions™

RAEZ 0120 7/8" H

Product Title: EZ Edge Transition
Model No. RAEZ 0120
UPC: 636585100196
Product Dimensions: 7/8" H x 8" D x 60" L
Carton Dimensions: 2-1/4" H x 8-1/2" W x 43" L
Freight Class: 55
Lead Time: 1-3 Business Days
Product Weight: 10.5 Lbs.
Ship Weight: 12 Lbs.
Product Color: Black
MRSP:
Comments: Two Part Assembly
D= Depth of Product



Made from 100% Recycled Rubber-perfect for exterior, interior, residential and commercial applications, these ramps have no load weight limitations, unlike aluminum ramp products.

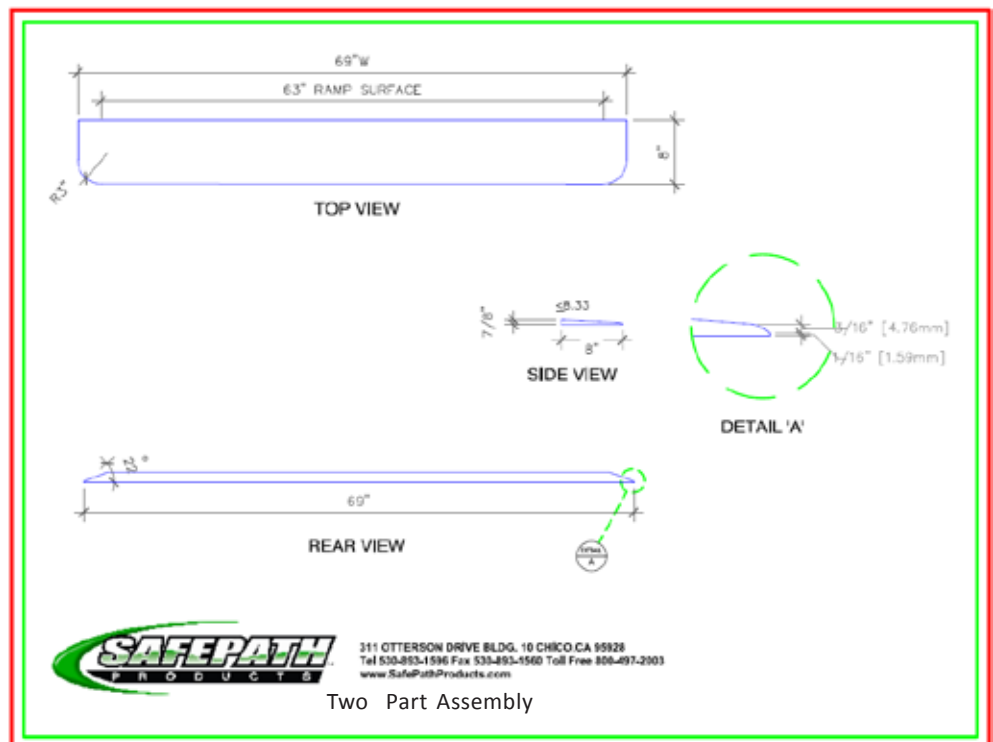
MADE in the USA



TM
EZ Edge Transitions

RAEZ 0130 7/8”H

Product Title: EZ Edge Transition
Model No. RAEZ 0130
UPC: 636585100202
Product Dimensions: 7/8” H x 8” D x 69” L
Carton Dimensions: 2-1/4” H x 8-1/2” W x 43” L
Freight Class: 55
Lead Time: 1-3 Business Days
Product Weight: 12.5 Lbs.
Ship Weight: 14 Lbs.
Product Color: Black
MRSP:
Comments: Two Part Assembly
D= Depth of Product



Made from 100% Recycled Rubber-perfect for exterior, interior, residential and commercial applications, these ramps have no load weight limitations, unlike aluminum ramp products.

MADE in the USA



TM
EZ Edge Transitions

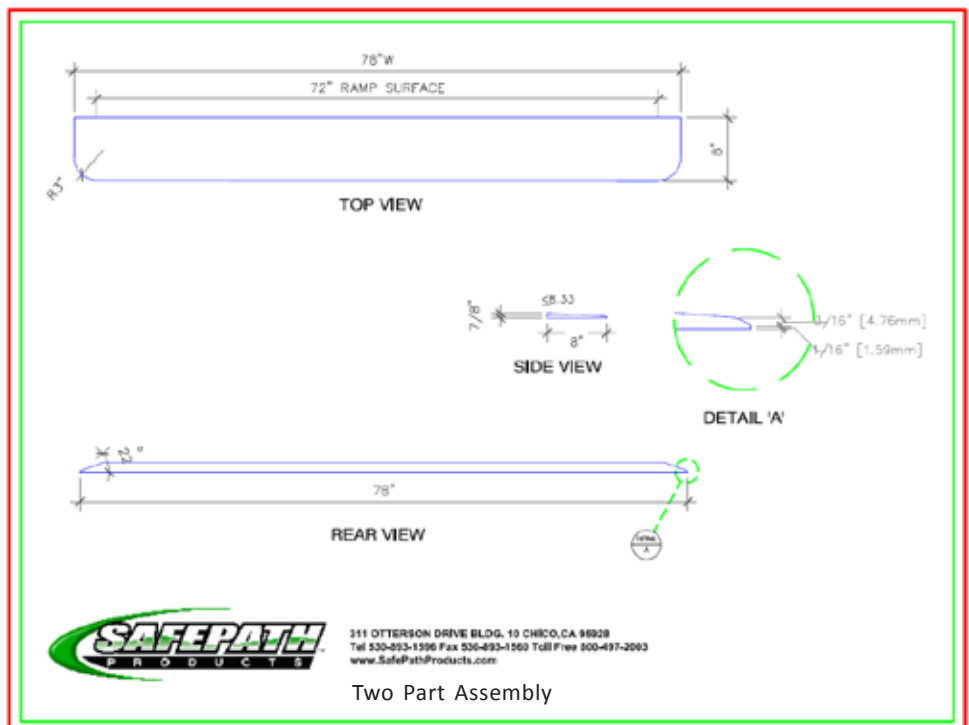
RAEZ 0140 7/8”H

Product Title: EZ Edge Transition
Model No. RAEZ 0140
UPC: 636585100219
Product Dimensions: 7/8” H x 8” D x 78” L
Carton Dimensions: 2-1/4” H x 8-1/2” W x 43” L
Freight Class: 55
Lead Time: 1-3 Business Days
Product Weight: 13.5 Lbs.
Ship Weight: 15 Lbs.
Product Color: Black
MRSP:
Comments: Two Part Assembly
D= Depth of Product



Made from 100% Recycled Rubber-perfect for exterior, interior, residential and commercial applications, these ramps have no load weight limitations, unlike aluminum ramp products.

MADE in the USA





EZ Edge Transitions™

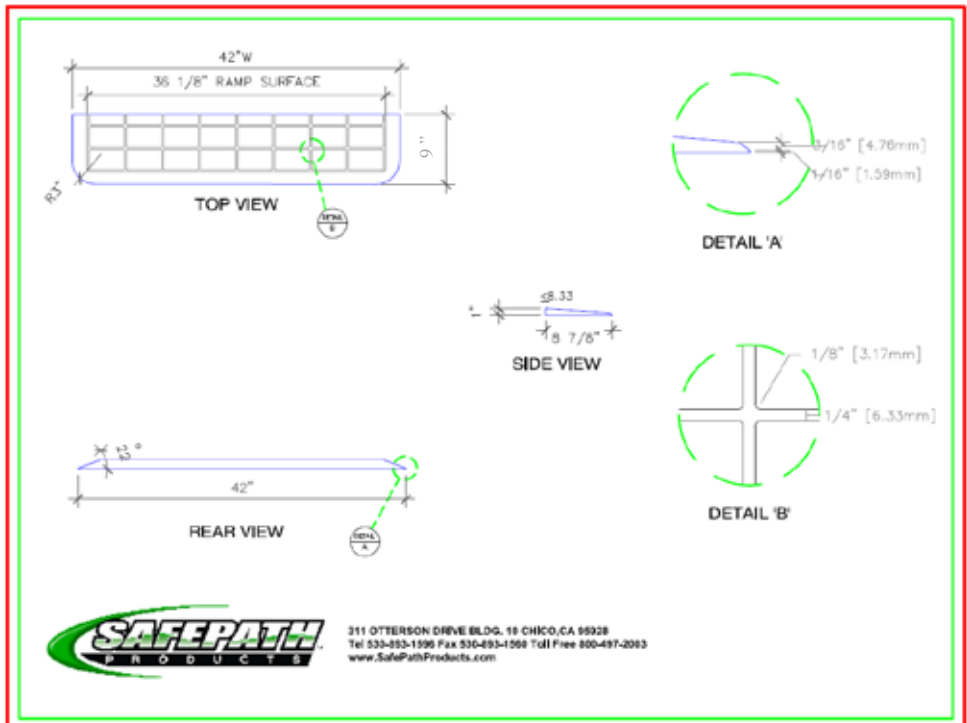
RAEZ 1150 1”H

Product Title: EZ Edge Transition
Model No. RAEZ 1150
UPC: 636585100264
Product Dimensions: 1” H x 9” D x 42” L
Carton Dimensions: 5-3/4” H x 12-3/4” W x 45” L
Freight Class: 55
Lead Time: 1-3 Business Days
Product Weight: 8 Lbs.
Ship Weight: 10.5 Lbs.
Product Color: Black
MRSP:
Comments:
D= Depth of Product



Made from 100% Recycled Rubber-perfect for exterior, interior, residential and commercial applications, these ramps have no load weight limitations, unlike aluminum ramp products.

MADE in the USA






EZ Edge Transitions™

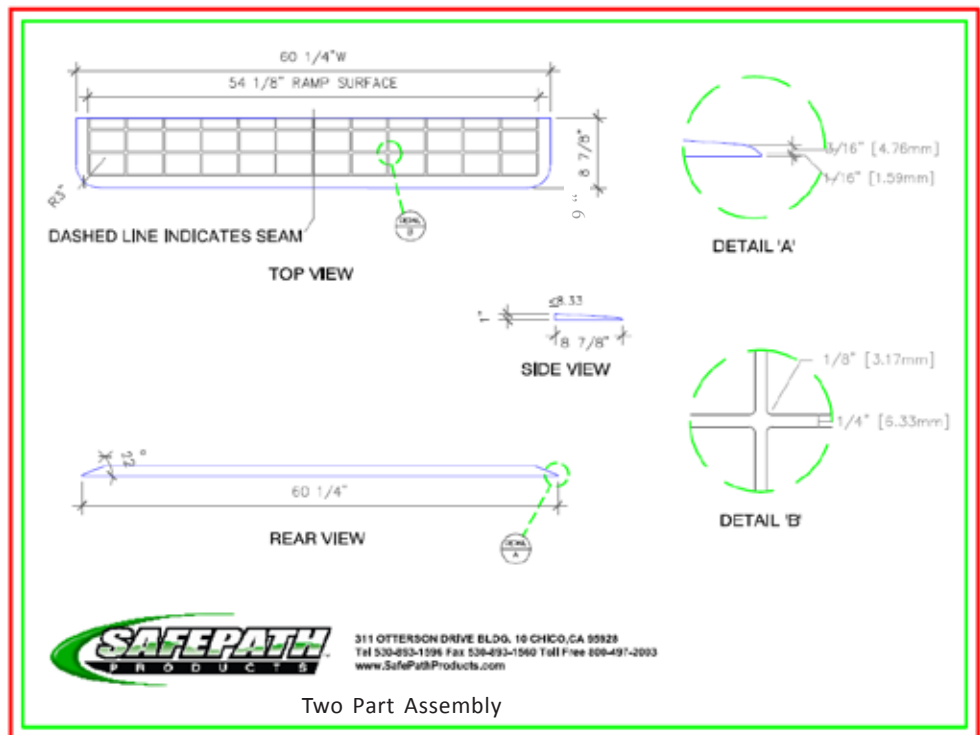
RAEZ 1160 1”H

Product Title: EZ Edge Transition
Model No. RAEZ 1160
UPC: 636585100271
Product Dimensions: 1” H x 9” D x 60-1/4” L
Carton Dimensions: 5-3/4” H x 12-3/4” W x 45” L
Freight Class: 55
Lead Time: 1-3 Business Days
Product Weight: 11 Lbs.
Ship Weight: 13.5 Lbs.
Product Color: Black
MRSP:
Comments: Two Part Assembly
D= Depth of Product



Made from 100% Recycled Rubber-perfect for exterior, interior, residential and commercial applications, these ramps have no load weight limitations, unlike aluminum ramp products.

MADE in the USA 





EZ Edge Transitions™

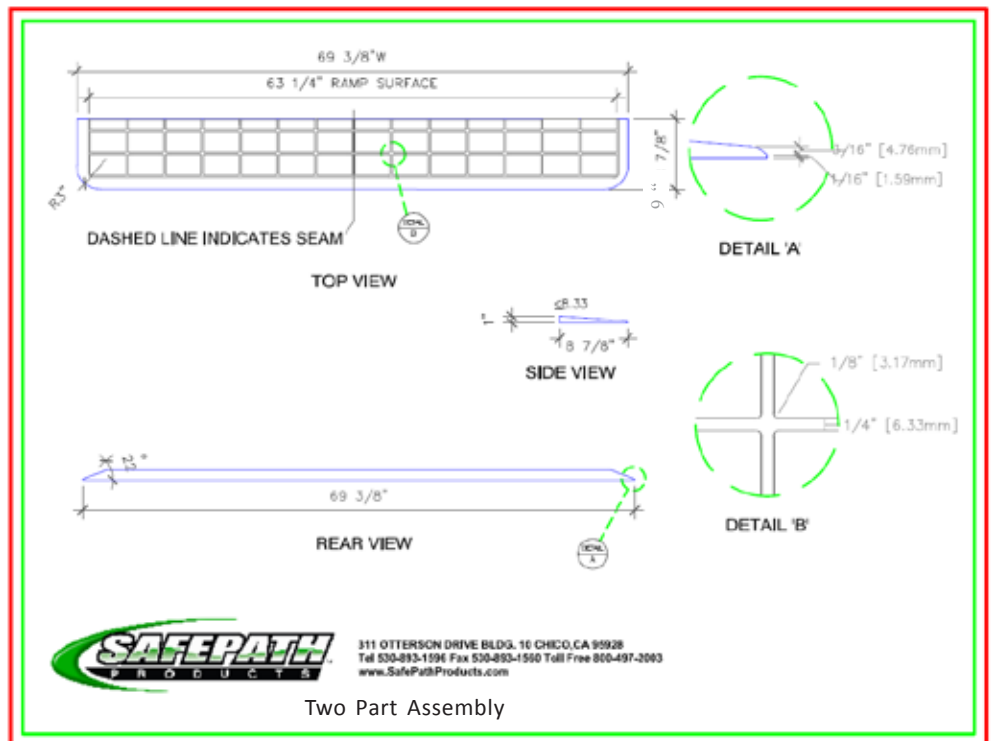
RAEZ 1170 1"H

Product Title: EZ Edge Transition
Model No. RAEZ 1170
UPC: 636585100288
Product Dimensions: 1" H x 9" D x 69-3/8" L
Carton Dimensions: 5-3/4" H x 12-3/4" W x 45" L
Freight Class: 55
Lead Time: 1-3 Business Days
Product Weight: 12.5 Lbs.
Ship Weight: 15 Lbs.
Product Color: Black
MRSP:
Comments: Two Part Assembly D= Depth of Product



Made from 100% Recycled Rubber-perfect for exterior, interior, residential and commercial applications, these ramps have no load weight limitations, unlike aluminum ramp products.

MADE in the USA






EZ Edge Transitions™

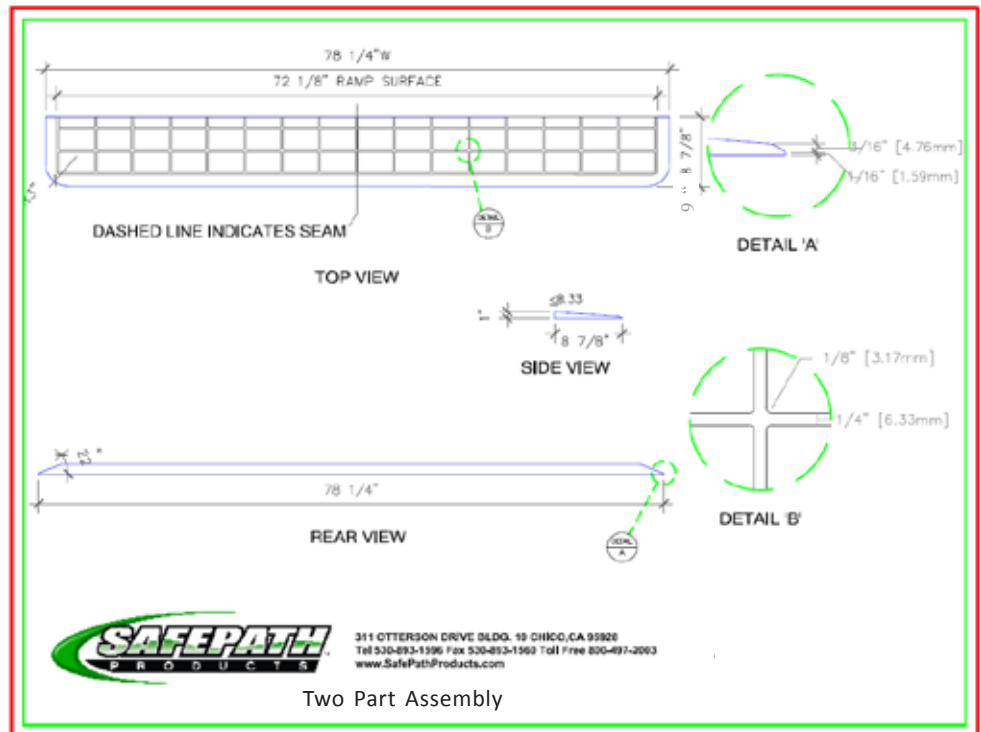
RAEZ 1180 1”H

Product Title: EZ Edge Transition
Model No. RAEZ 1180
UPC: 636585100295
Product Dimensions: 1” H x 9” D x 78-1/4” L
Carton Dimensions: 5-3/4” H x 12-3/4” W x 45” L
Freight Class: 55
Lead Time: 1-3 Business Days
Product Weight: 14.5 Lbs.
Ship Weight: 17 Lbs.
Product Color: Black
MRSP:
Comments: Two Part Assembly
D= Depth of Product



Made from 100% Recycled Rubber-perfect for exterior, interior, residential and commercial applications, these ramps have no load weight limitations, unlike aluminum ramp products.

MADE in the USA 





EZ Edge Transitions™

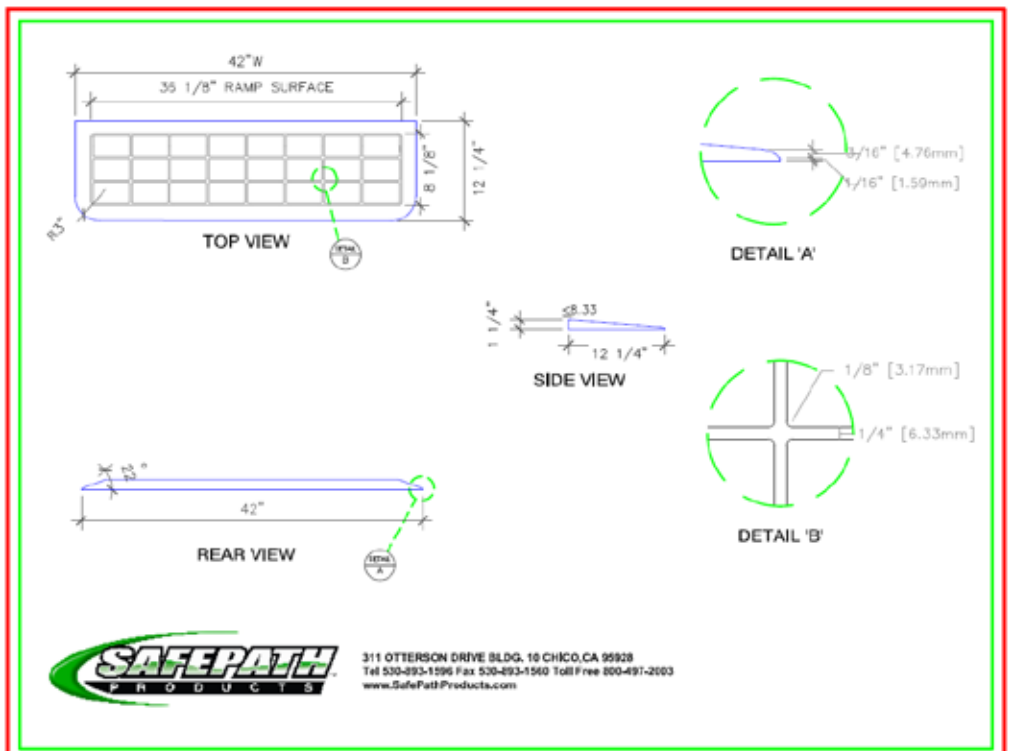
RAEZ 1110 1-1/4" H

Product Title: EZ Edge Transition
Model No. RAEZ 1110
UPC: 636585100226
Product Dimensions: 1-1/4" H x 12-1/4" D x 42" L
Carton Dimensions: 5-3/4" H x 12-3/4" W x 45" L
Freight Class: 55
Lead Time: 1-3 Business Days
Product Weight: 14 Lbs.
Ship Weight: 16.5 Lbs.
Product Color: Black
MRSP:
Comments:
D= Depth of Product



Made from 100% Recycled Rubber-perfect for exterior, interior, residential and commercial applications, these ramps have no load weight limitations, unlike aluminum ramp products.

MADE in the USA





EZ Edge Transitions™

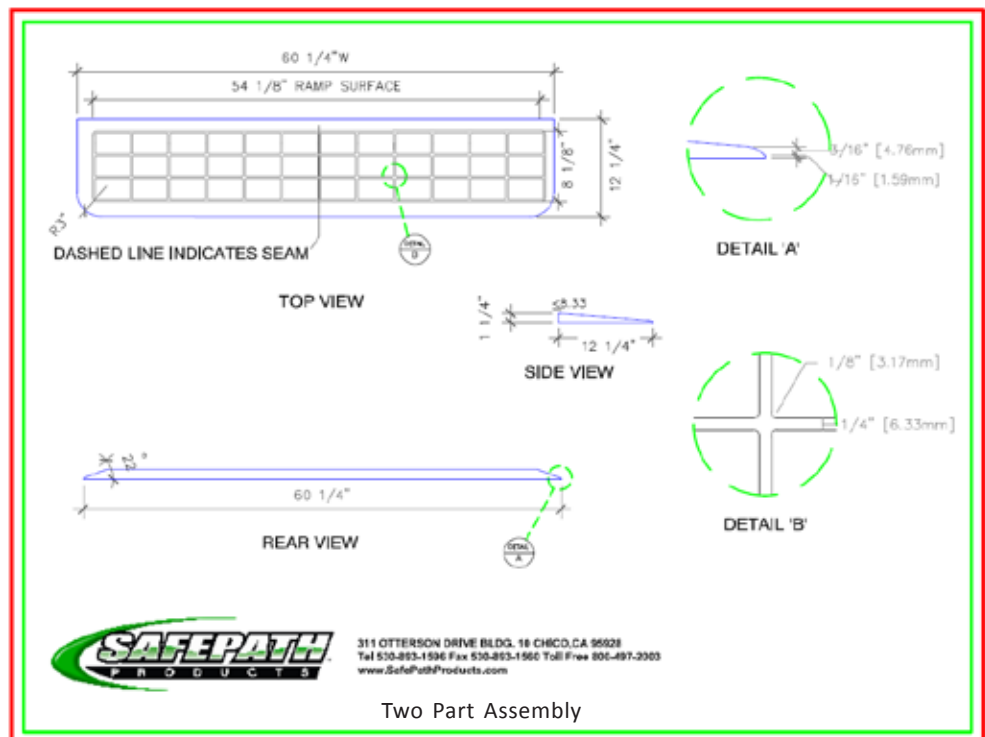
RAEZ 1120 1-1/4" H

Product Title: EZ Edge Transition
Model No. RAEZ 1120
UPC: 636585100233
Product Dimensions: 1-1/4" H x 12-1/4" D x 60-1/4" L
Carton Dimensions: 5-3/4" H x 12-3/4" W x 45" L
Freight Class: 55
Lead Time: 1-3 Business Days
Product Weight: 22 Lbs.
Ship Weight: 24.5 Lbs.
Product Color: Black
MRSP:
Comments: Two Part Assembly
D= Depth of Product



Made from 100% Recycled Rubber-perfect for exterior, interior, residential and commercial applications, these ramps have no load weight limitations, unlike aluminum ramp products.

MADE in the USA





EZ Edge Transitions™

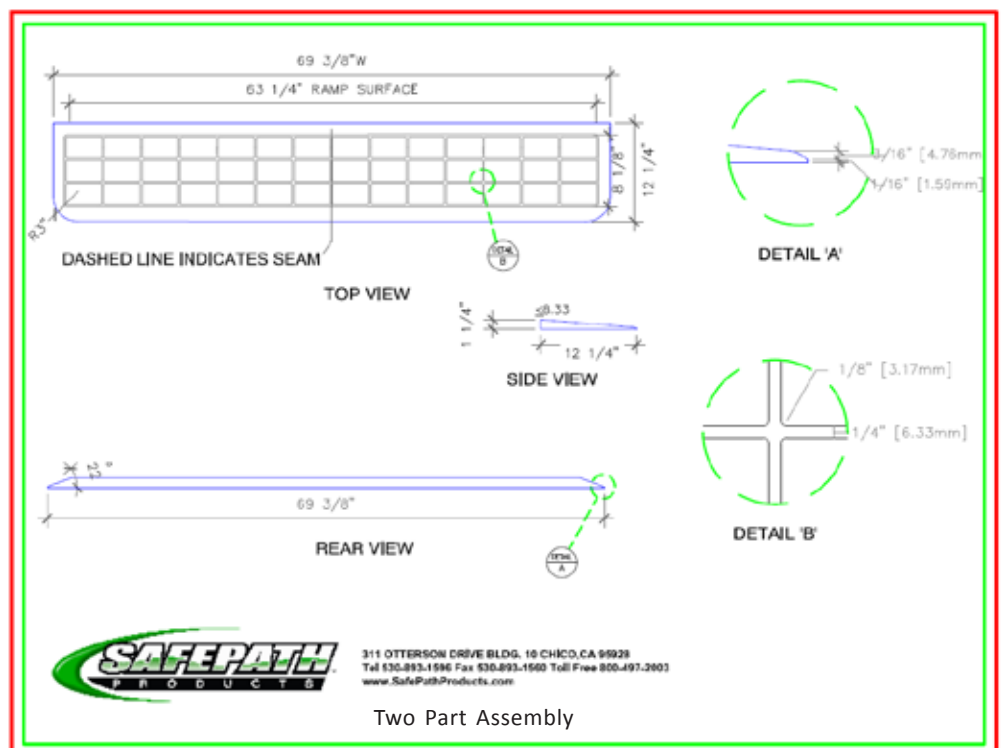
RAEZ 1130 1-1/4" H

Product Title: EZ Edge Transition
Model No. RAEZ 1130
UPC: 636585100240
Product Dimensions: 1-1/4" H x 12-1/4" D x 69-3/8" L
Carton Dimensions: 5-3/4" H x 12-3/4" W x 45" L
Freight Class: 55
Lead Time: 1-3 Business Days
Product Weight: 25.5 Lbs.
Ship Weight: 28 Lbs.
Product Color: Black
MRSP:
Comments: Two Part Assembly
D= Depth of Product



Made from 100% Recycled Rubber-perfect for exterior, interior, residential and commercial applications, these ramps have no load weight limitations, unlike aluminum ramp products.

MADE in the USA





EZ Edge Transitions™

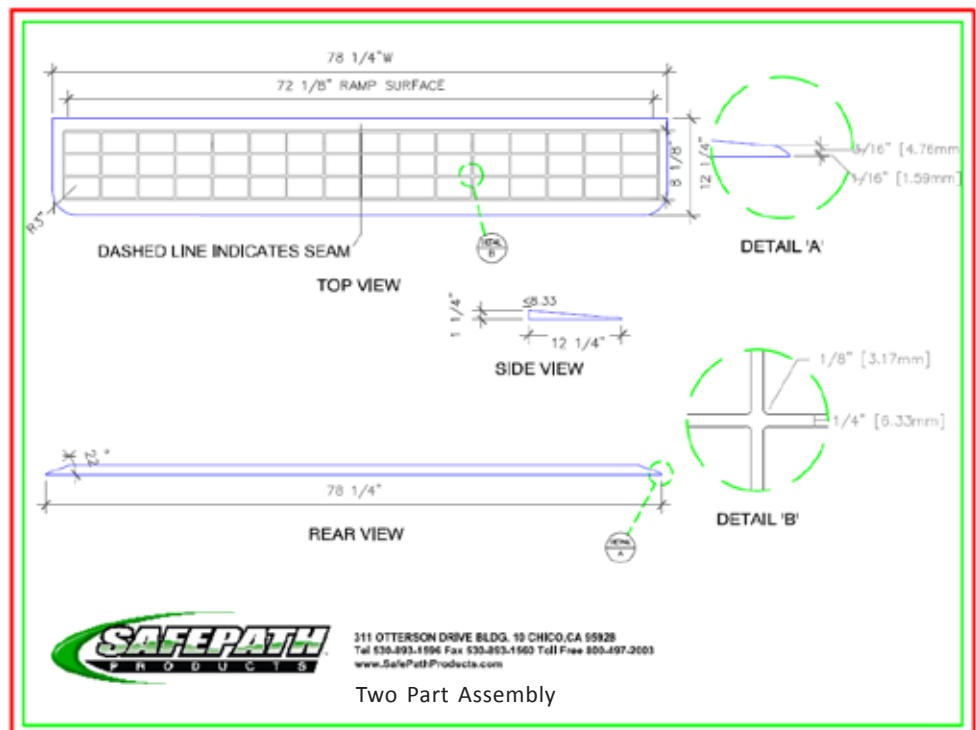
RAEZ 1140 1-1/4" H

Product Title: EZ Edge Transition
Model No. RAEZ 1140
UPC: 636585100257
Product Dimensions: 1-1/4" H x 12-1/4" D x 78-1/4" L
Carton Dimensions: 5-3/4" H x 12-3/4" W x 45" L
Freight Class: 55
Lead Time: 1-3 Business Days
Product Weight: 29 Lbs.
Ship Weight: 31.5 Lbs.
Product Color: Black
MRSP:
Comments: Two Part Assembly
D= Depth of Product



Made from 100% Recycled Rubber-perfect for exterior, interior, residential and commercial applications, these ramps have no load weight limitations, unlike aluminum ramp products.

MADE in the USA





EZ Edge Transitions™

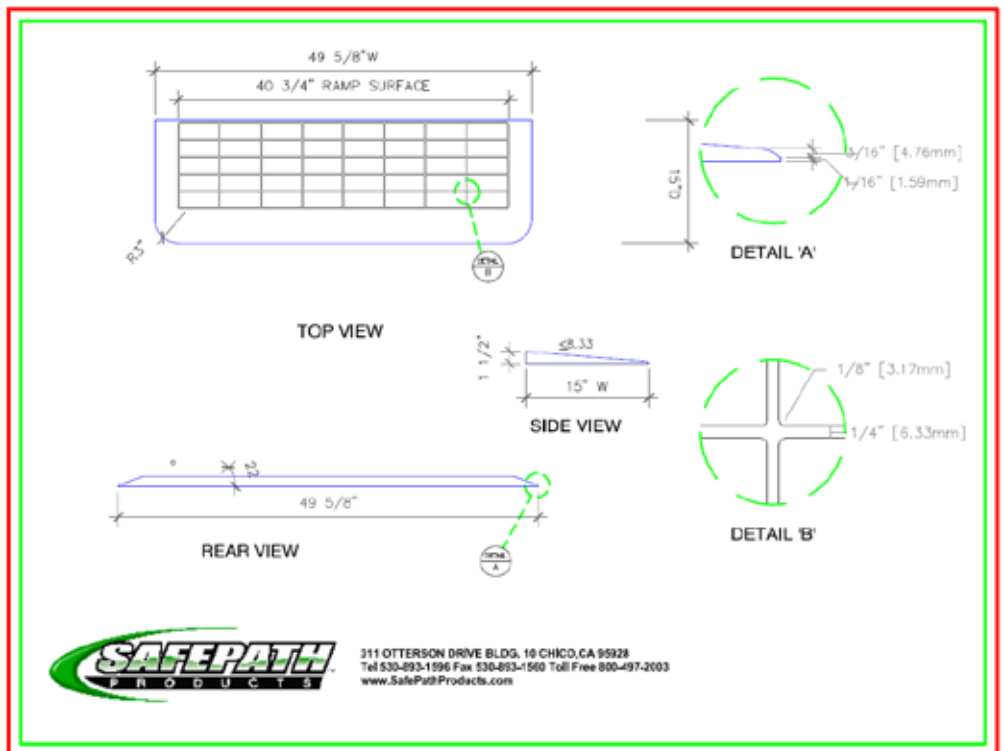
RAEZ 1310 1-1/2" H

Product Title: EZ Edge Transition
Model No. RAEZ 1310
UPC: 636585100301
Product Dimensions: 1-1/2" H x 15" D x 49-5/8" L
Carton Dimensions: 2-1/2" H x 18-5/8" W x 53" L
Freight Class: 55
Lead Time: 1-3 Business Days
Product Weight: 24.5 Lbs.
Ship Weight: 27.5 Lbs.
Product Color: Black
MRSP:
Comments:
D= Depth of Product



Made from 100% Recycled Rubber-perfect for exterior, interior, residential and commercial applications, these ramps have no load weight limitations, unlike aluminum ramp products.

MADE in the USA



311 OTTERSON DRIVE BLDG. 10 CHICO, CA 95928
Tel 530-893-1996 Fax 530-893-1560 Toll Free 800-497-2003
www.SafePathProducts.com



EZ Edge Transitions™

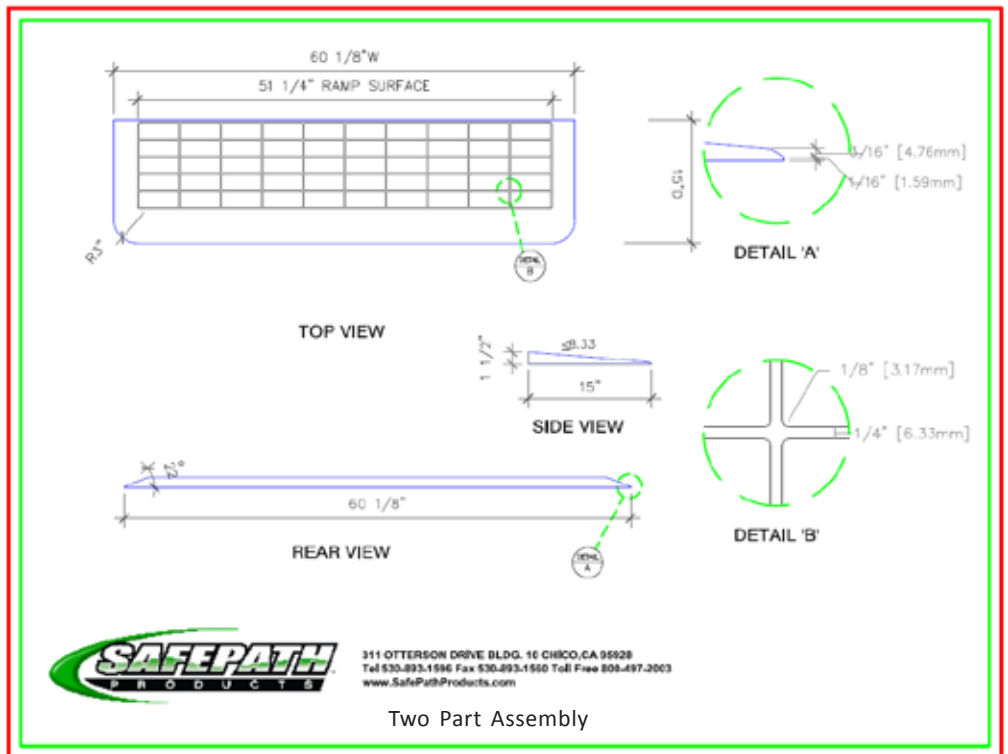
RAEZ 1320 1-1/2”H

Product Title: EZ Edge Transition
Model No. RAEZ 1320
UPC: 636585100318
Product Dimensions: 1-1/2” H x 15” D x 60-1/8” L
Carton Dimensions: 2-1/2” H x 18-5/8” W x 53” L
Freight Class: 55
Lead Time: 1-3 Business Days
Product Weight: 29 Lbs.
Ship Weight: 32 Lbs.
Product Color: Black
MRSP:
Comments: Two Part Assembly
D= Depth of Product



Made from 100% Recycled Rubber-perfect for exterior, interior, residential and commercial applications, these ramps have no load weight limitations, unlike aluminum ramp products.

MADE in the USA





EZ Edge Transitions™

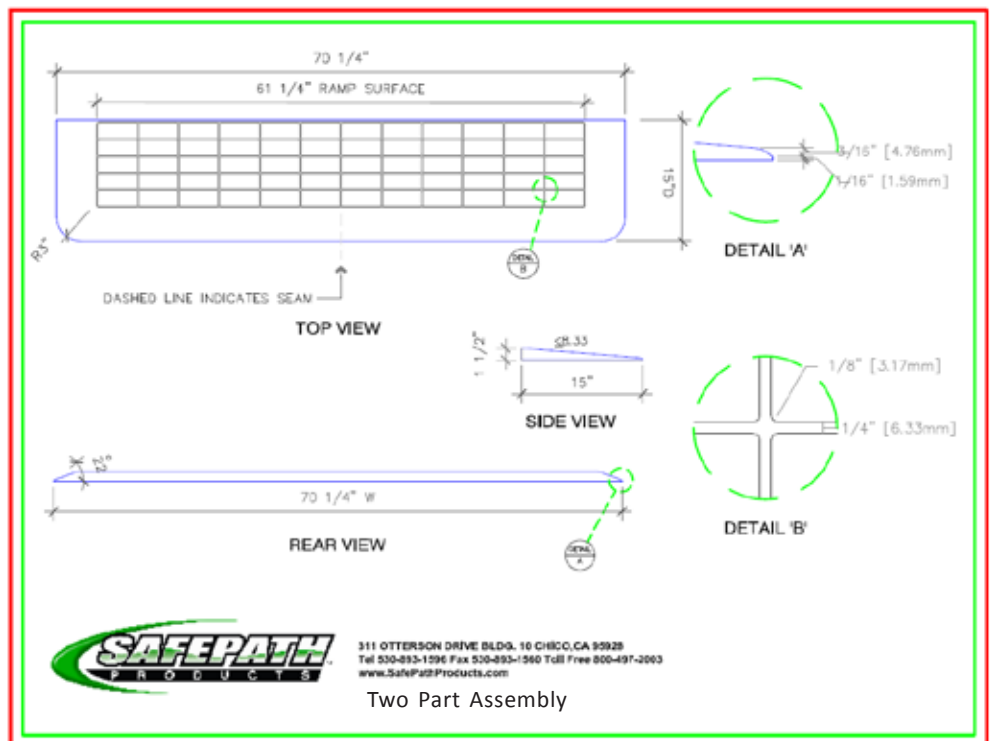
RAEZ 1330 1-1/2" H

Product Title: EZ Edge Transition
Model No. RAEZ 1330
UPC: 636585100325
Product Dimensions: 1-1/2" H x 15" D x 70-1/4" L
Carton Dimensions: 2-1/2" H x 18-5/8" W x 53" L
Freight Class: 55
Lead Time: 1-3 Business Days
Product Weight: 34 Lbs.
Ship Weight: 37 Lbs.
Product Color: Black
MRSP:
Comments: Two Part Assembly
D= Depth of Product



Made from 100% Recycled Rubber-perfect for exterior, interior, residential and commercial applications, these ramps have no load weight limitations, unlike aluminum ramp products.

MADE in the USA





EZ Edge Transitions™

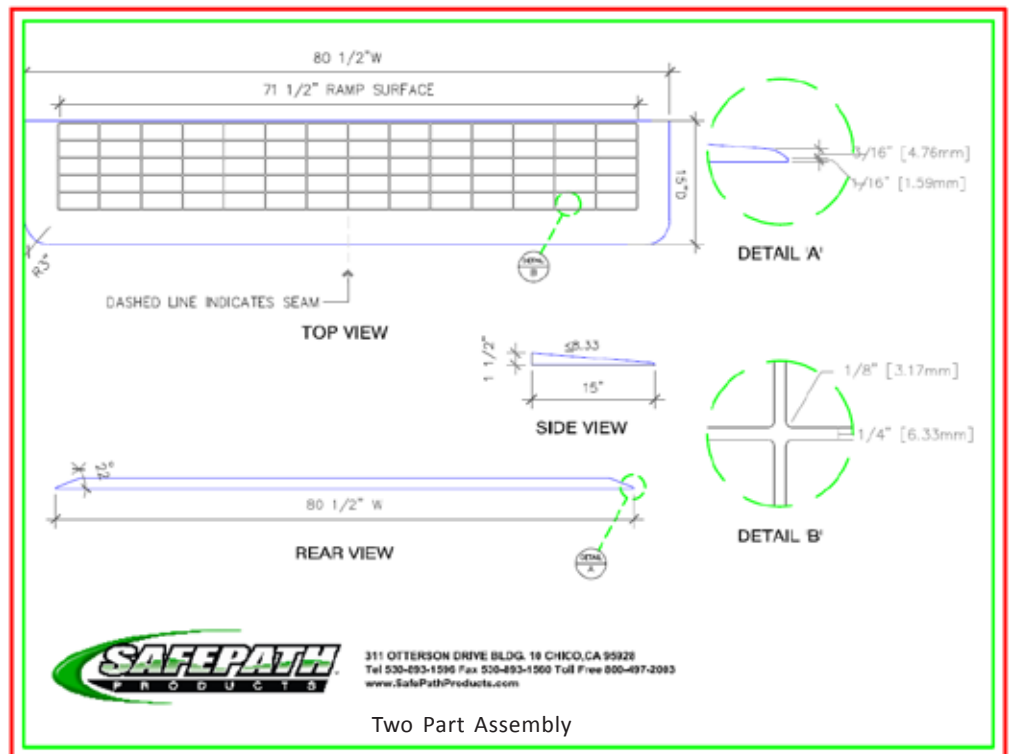
RAEZ 1340 1-1/2" H

Product Title: EZ Edge Transition
Model No. RAEZ 1340
UPC: 636585100332
Product Dimensions: 1-1/2" H x 15" D x 80-1/2" L
Carton Dimensions: 2-1/2" H x 18-5/8" W x 53" L
Freight Class: 55
Lead Time: 1-3 Business Days
Product Weight: 40 Lbs.
Ship Weight: 43 Lbs.
Product Color: Black
MRSP:
Comments: Two Part Assembly D= Depth of Product



Made from 100% Recycled Rubber-perfect for exterior, interior, residential and commercial applications, these ramps have no load weight limitations, unlike aluminum ramp products.

MADE in the USA





EZ Edge Transitions™

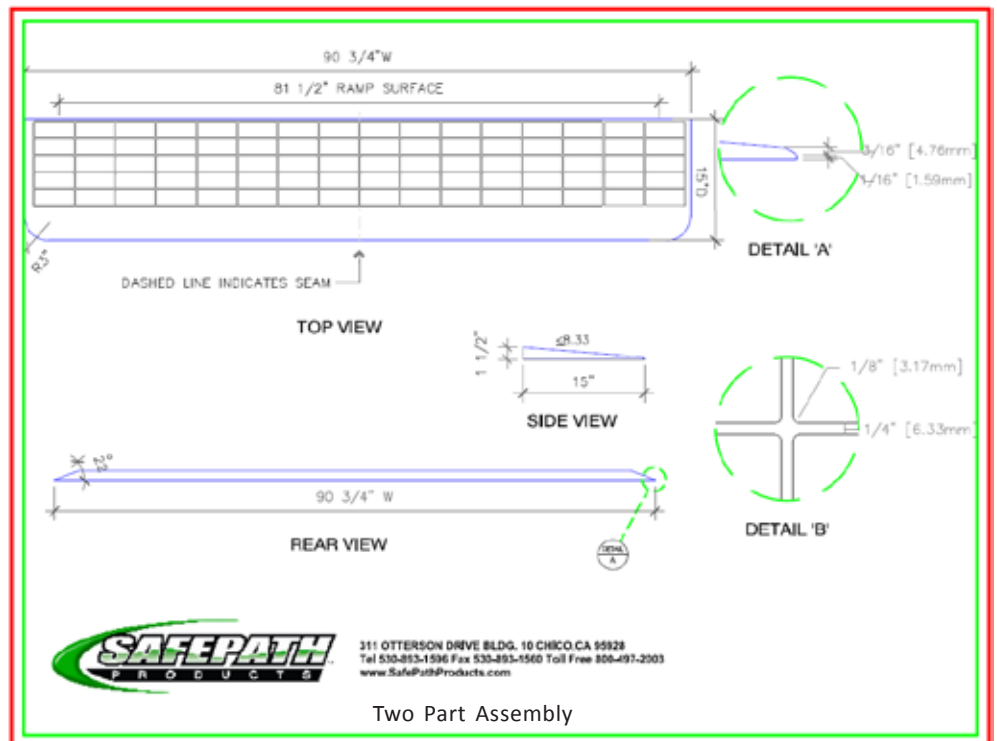
RAEZ 1350 1-1/2" H

Product Title: EZ Edge Transition
Model No. RAEZ 1350
UPC: 636585108093
Product Dimensions: 1-1/2" H x 15" D x 90-1/4" L
Carton Dimensions: 2-1/2" H x 18-5/8" W x 53" L
Freight Class: 55
Lead Time: 1-3 Business Days
Product Weight: 46 Lbs.
Ship Weight: 49 Lbs.
Product Color: Black
MRSP:
Comments: Two Part Assembly
D= Depth of Product



Made from 100% Recycled Rubber-perfect for exterior, interior, residential and commercial applications, these ramps have no load weight limitations, unlike aluminum ramp products.

MADE in the USA





EZ Edge Transitions™

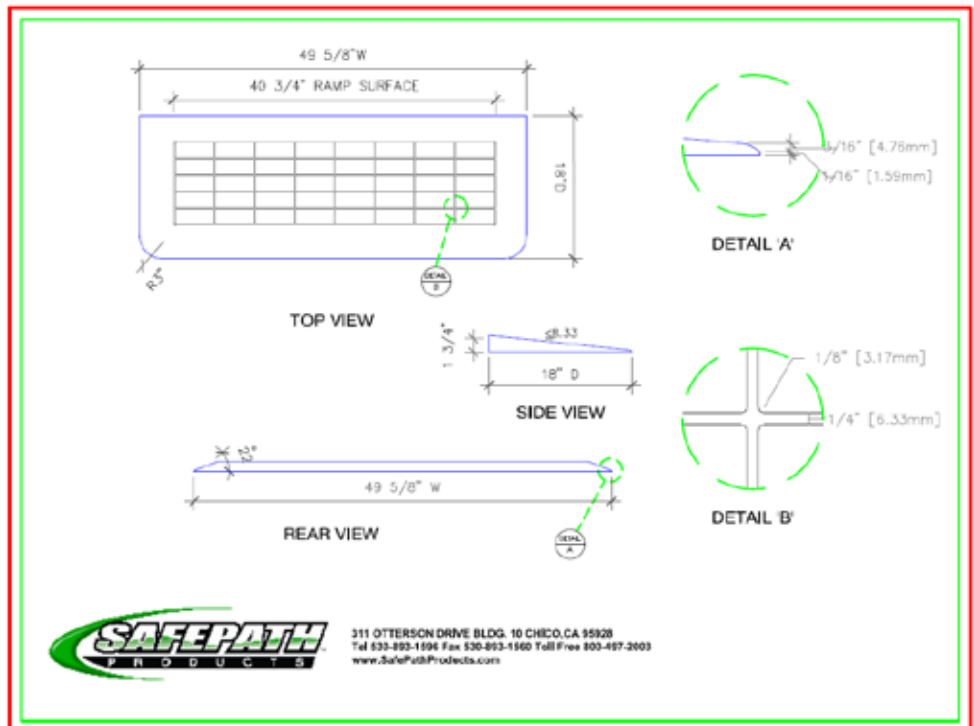
RAEZ 1510 1-3/4" H

Product Title: EZ Edge Transition
Model No. RAEZ 1510
UPC: 636585100349
Product Dimensions: 1-3/4" H x 18" D x 49-5/8" L
Carton Dimensions: 2-1/2" H x 18-5/8" W x 53" L
Freight Class: 55
Lead Time: 1-3 Business Days
Product Weight: 34 Lbs.
Ship Weight: 37 Lbs.
Product Color: Black
MRSP:
Comments:
D= Depth of Product



Made from 100% Recycled Rubber-perfect for exterior, interior, residential and commercial applications, these ramps have no load weight limitations, unlike aluminum ramp products.

MADE in the USA





EZ Edge Transitions™

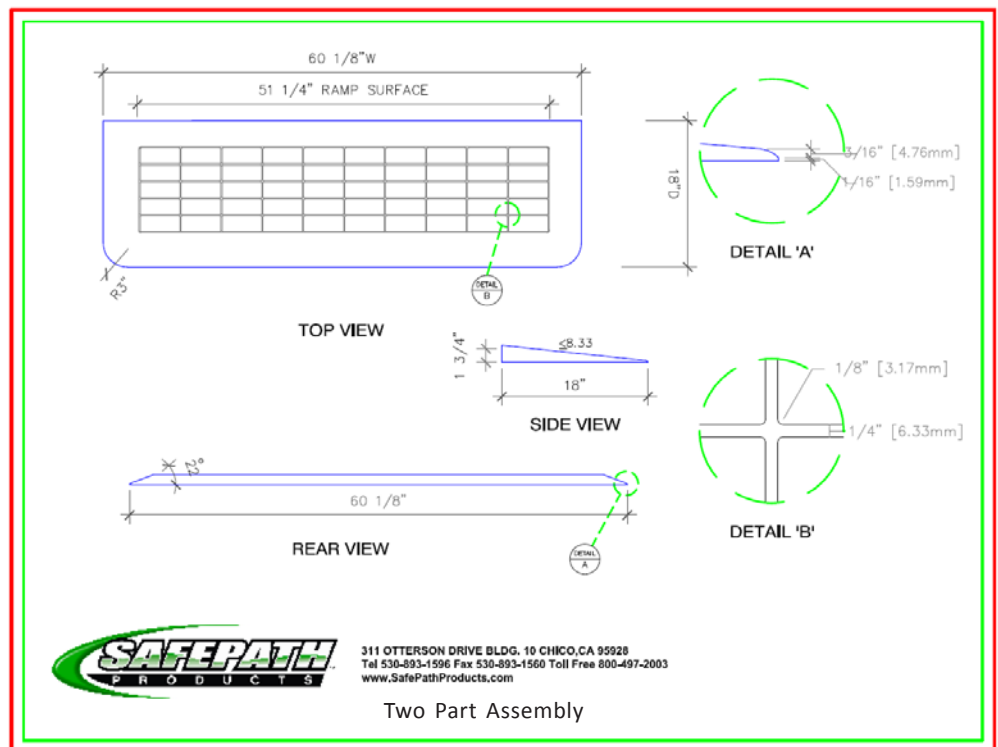
RAEZ 1520 1-3/4" H

Product Title: EZ Edge Transition
Model No. RAEZ 1520
UPC: 636585100356
Product Dimensions: 1-3/4" H x 18" D x 60-1/8" L
Carton Dimensions: 2-1/2" H x 18-5/8" W x 53" L
Freight Class: 55
Lead Time: 1-3 Business Days
Product Weight: 41 Lbs.
Ship Weight: 44 Lbs.
Product Color: Black
MRSP:
Comments: Two Part Assembly
D= Depth of Product



Made from 100% Recycled Rubber-perfect for exterior, interior, residential and commercial applications, these ramps have no load weight limitations, unlike aluminum ramp products.

MADE in the USA





EZ Edge Transitions™

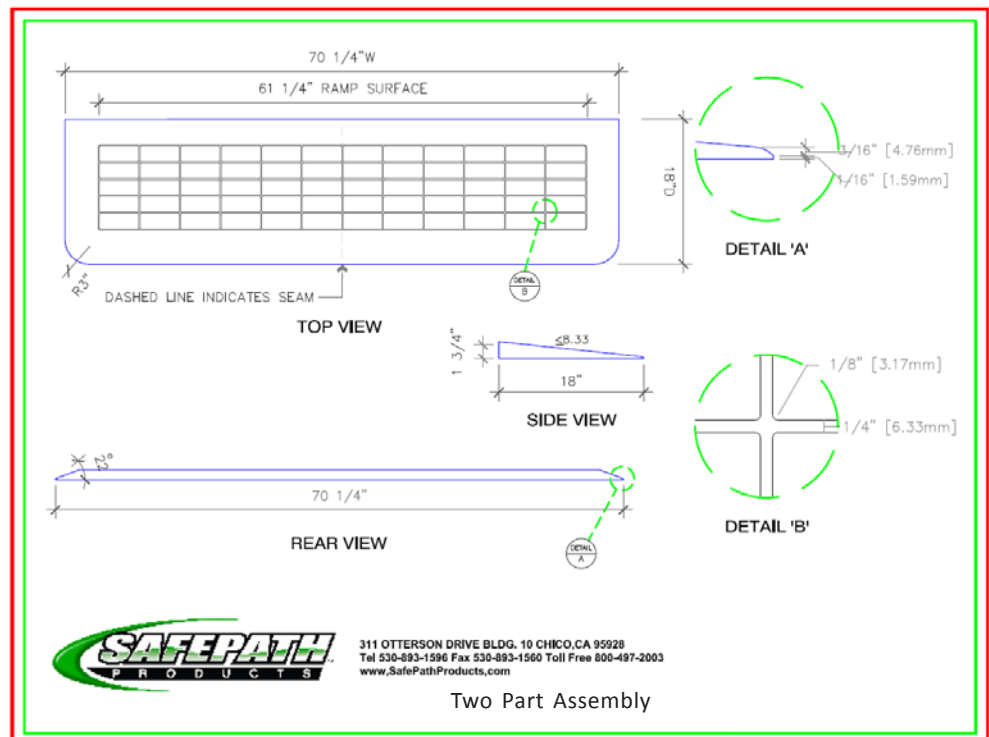
RAEZ 1530 1-3/4" H

Product Title: EZ Edge Transition
Model No. RAEZ 1530
UPC: 636585100363
Product Dimensions: 1-3/4" H x 18" D x 70-1/4" L
Carton Dimensions: 2-1/2" H x 18-5/8" W x 53" L
Freight Class: 55
Lead Time: 1-3 Business Days
Product Weight: 48 Lbs.
Ship Weight: 51 Lbs.
Product Color: Black
MRSP:
Comments: Two Part Assembly
D= Depth of Product



Made from 100% Recycled Rubber-perfect for exterior, interior, residential and commercial applications, these ramps have no load weight limitations, unlike aluminum ramp products.

MADE in the USA





EZ Edge Transitions™

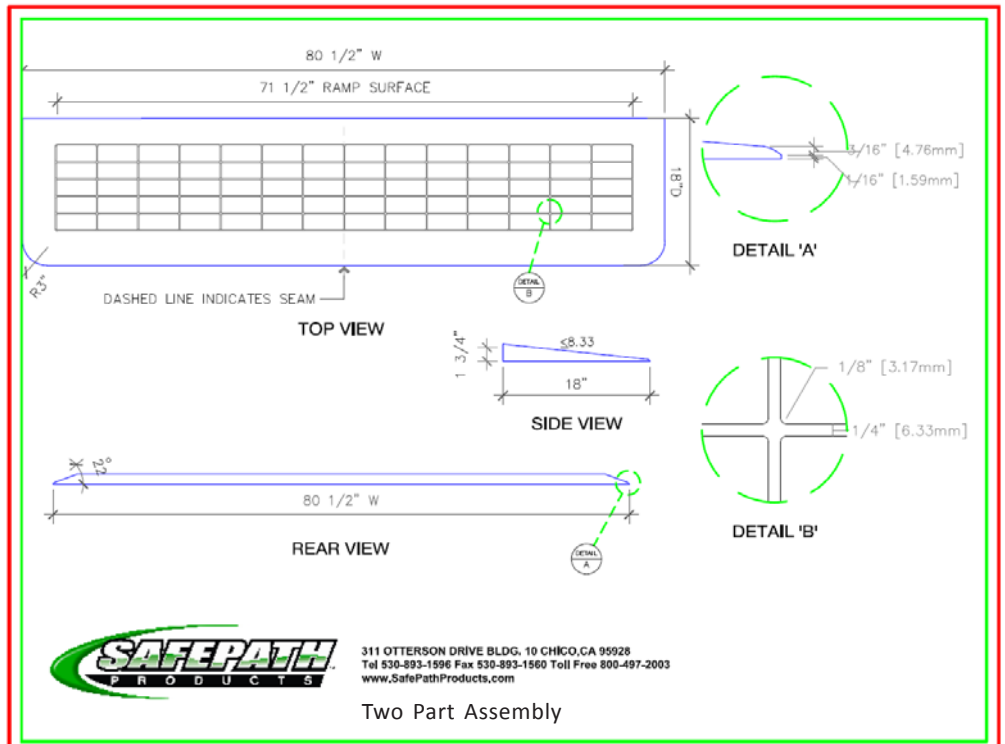
RAEZ 1540 1-3/4" H

Product Title: EZ Edge Transition
Model No. RAEZ 1540
UPC: 636585100370
Product Dimensions: 1-3/4" H x 18" D x 80-1/2" L
Carton Dimensions: 2-1/2" H x 18-5/8" W x 53" L
Freight Class: 55
Lead Time: 1-3 Business Days
Product Weight: 55 Lbs.
Ship Weight: 58 Lbs.
Product Color: Black
MRSP:
Comments: Two Part Assembly
D= Depth of Product



Made from 100% Recycled Rubber-perfect for exterior, interior, residential and commercial applications, these ramps have no load weight limitations, unlike aluminum ramp products.

MADE in the USA





EZ Edge Transitions™

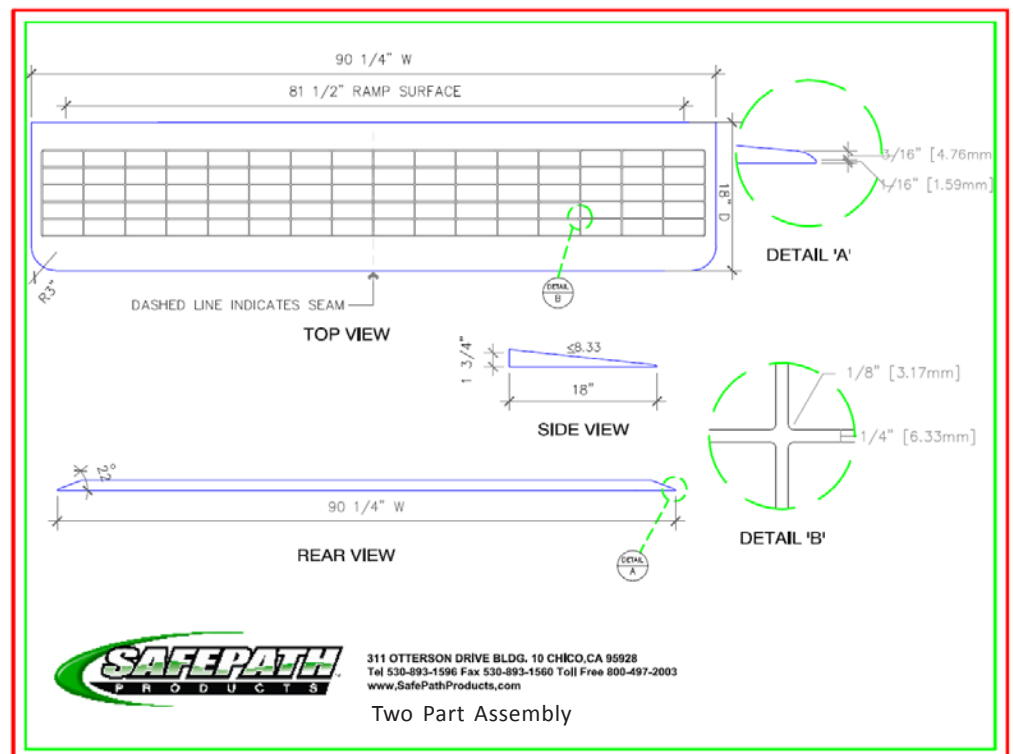
RAEZ 1550 1-3/4"

Product Title: EZ Edge Transition
Model No. RAEZ 1550
UPC: 636585108109
Product Dimensions: 1-3/4" H x 18" D x 90-1/4" L
Carton Dimensions: 2-1/2" H x 18-5/8" W x 53" L
Freight Class: 55
Lead Time: 1-3 Business Days
Product Weight: 62 Lbs.
Ship Weight: 65 Lbs.
Product Color: Black
MRSP:
Comments: Two Part Assembly
D= Depth of Product



Made from 100% Recycled Rubber-perfect for exterior, interior, residential and commercial applications, these ramps have no load weight limitations, unlike aluminum ramp products.

MADE in the USA

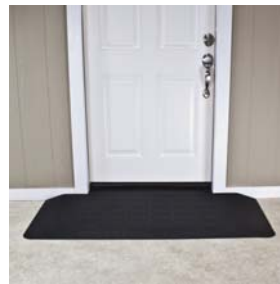





EZ Edge Transitions™

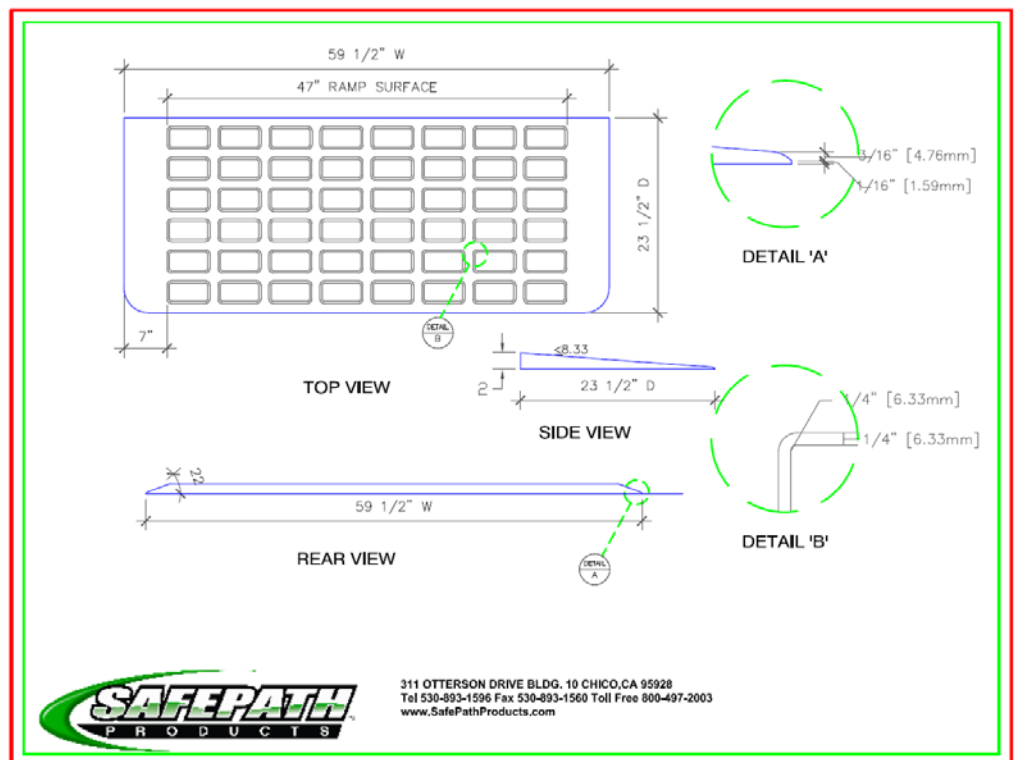
RAEZ 2100 2" H

Product Title: EZ Edge Transition
Model No. RAEZ 2100
UPC: 636585100387
Product Dimensions: 2" H x 23-1/2" D x 59-1/2" L
Carton Dimensions: 3-1/4" H x 25-1/2" W x 62-7/8" L
Freight Class: 55
Lead Time: 1-3 Business Days
Product Weight: 52 Lbs.
Ship Weight: 57.5
Product Color: Black
MRSP:
Comments: D= Depth of Product



Made from 100% Recycled Rubber-perfect for exterior, interior, residential and commercial applications, these ramps have no load weight limitations, unlike aluminum ramp products.

MADE in the USA 






EZ Edge Transitions™

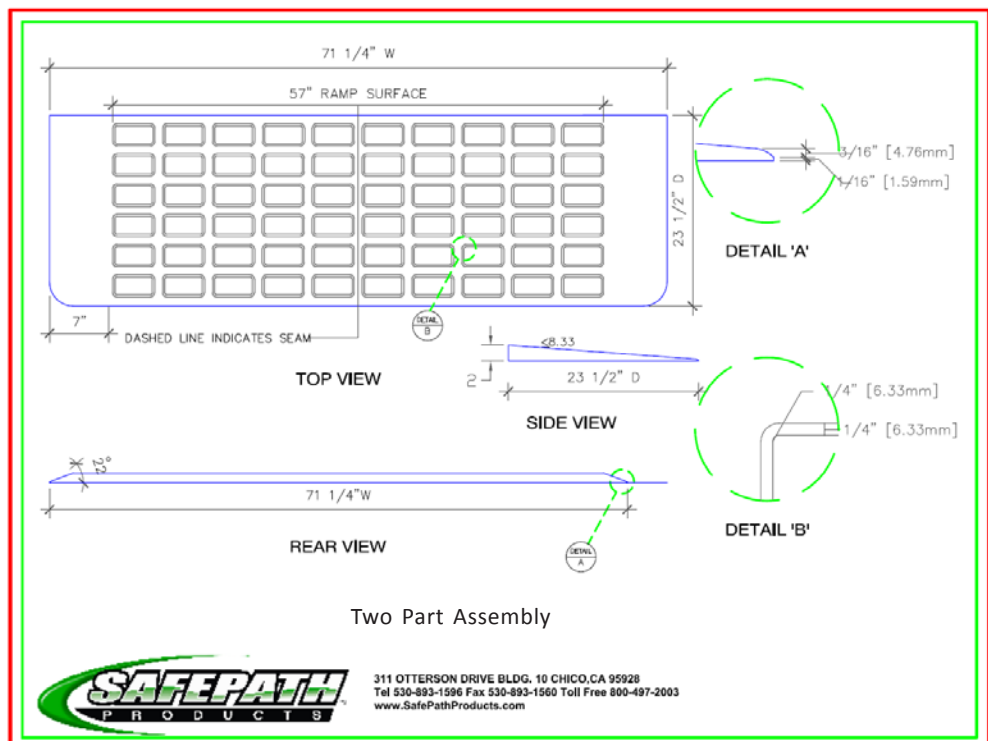
RAEZ 2120 2" H

Product Title: EZ Edge Transition
Model No. RAEZ 2120
UPC: 636585100394
Product Dimensions: 2" H x 23-1/2" D x 71-1/4" L
Carton Dimensions: 3-1/4" H x 25-1/2" W x 62-7/8" L
Freight Class: 55
Lead Time: 1-3 Business Days
Product Weight: 66 Lbs.
Ship Weight: 71.5
Product Color: Black
MRSP:
Comments: Two Part Assembly
D= Depth of Product



Made from 100% Recycled Rubber-perfect for exterior, interior, residential and commercial applications, these ramps have no load weight limitations, unlike aluminum ramp products.

MADE in the USA 





EZ Edge Transitions™

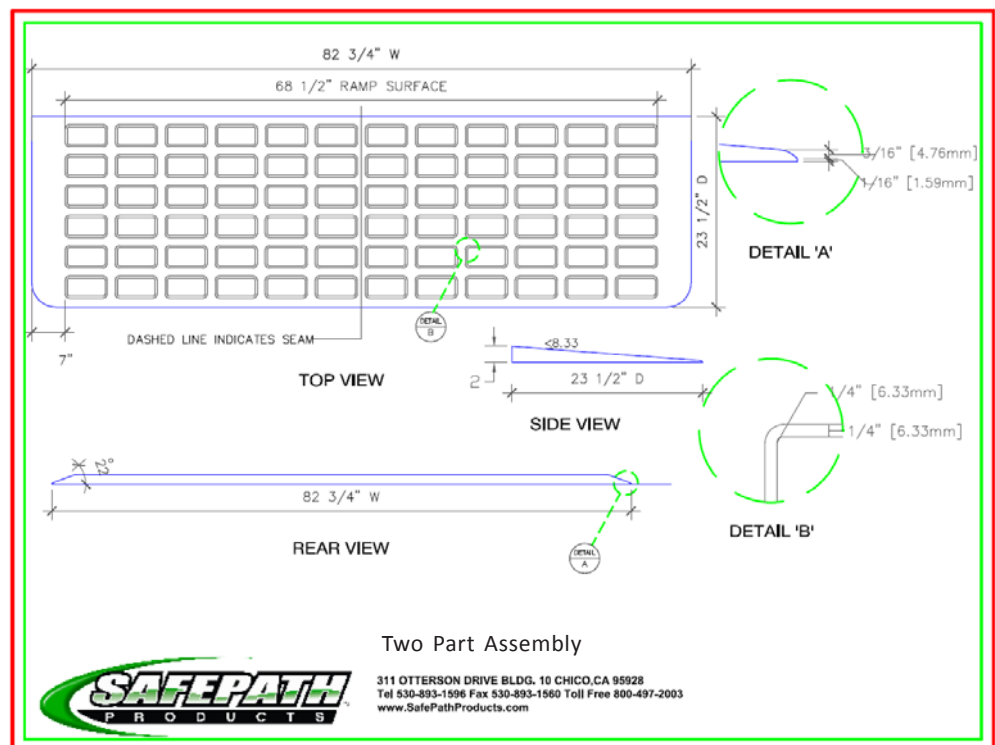
RAEZ 2130 2" H

Product Title: EZ Edge Transition
Model No. RAEZ 2130
UPC: 636585100400
Product Dimensions: 2" H x 23-1/2" D x 82-3/4" L
Carton Dimensions: 3-1/4" H x 25-1/2" W x 62-7/8" L
Freight Class: 55
Lead Time: 1-3 Business Days
Product Weight: 72 Lbs.
Ship Weight: 77.5 Lbs.
Product Color: Black
MRSP:
Comments: Two Part Assembly D= Depth of Product



Made from 100% Recycled Rubber-perfect for exterior, interior, residential and commercial applications, these ramps have no load weight limitations, unlike aluminum ramp products.

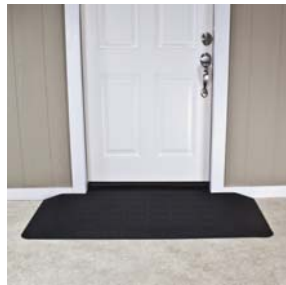
MADE in the USA





EZ Edge Transitions™

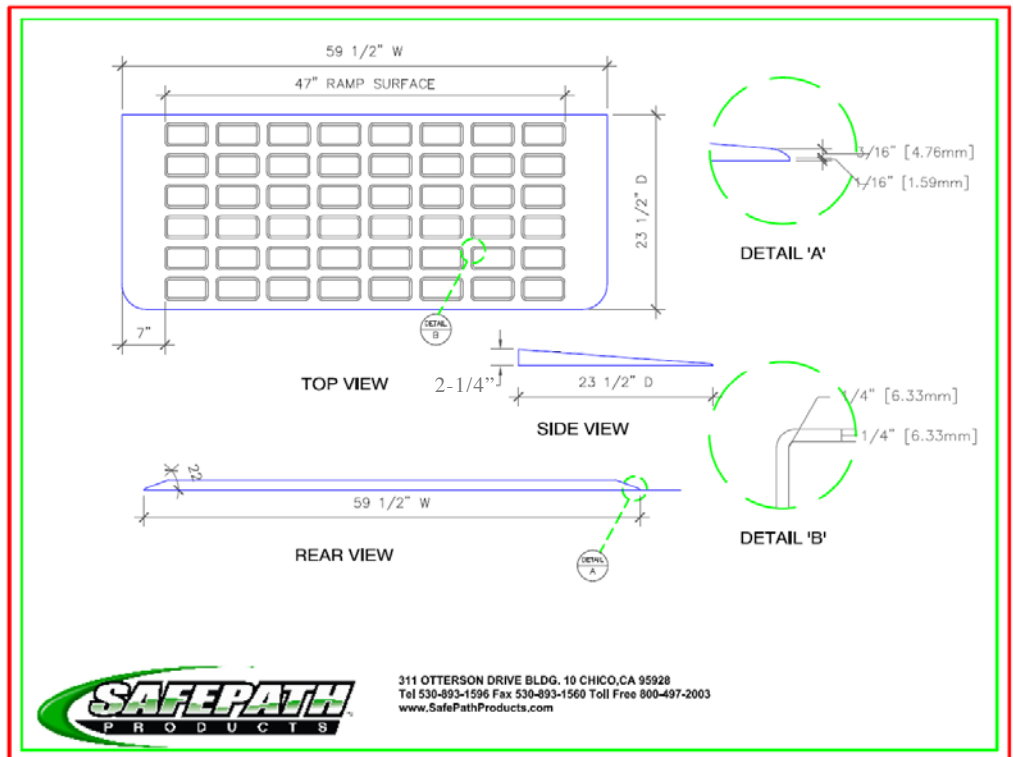
RAEZ 2150 2-1/4" H



Product Title: EZ Edge Transition
Model No. RAEZ2150
UPC: 636585100752
Product Dimensions: 2-1/4" H x 23-1/2" D x 59-1/2" L
Carton Dimensions: 3-1/4" H x 25-1/2" W x 62-7/8" L
Freight Class: 55
Lead Time: 1-3 Business Days
Product Weight: 66 Lbs.
Ship Weight: 71.5 Lbs.
Product Color: Black
MRSP:
Comments: Non-ADA Ramp
D= Depth of Product

Made from 100% Recycled Rubber-perfect for exterior, interior, residential and commercial applications, these ramps have no load weight limitations, unlike aluminum ramp products.

MADE in the USA



311 OTTERSON DRIVE BLDG. 10 CHICO, CA 95928
 Tel 530-893-1596 Fax 530-893-1560 Toll Free 800-497-2003
 www.SafePathProducts.com



EZ Edge Transitions™

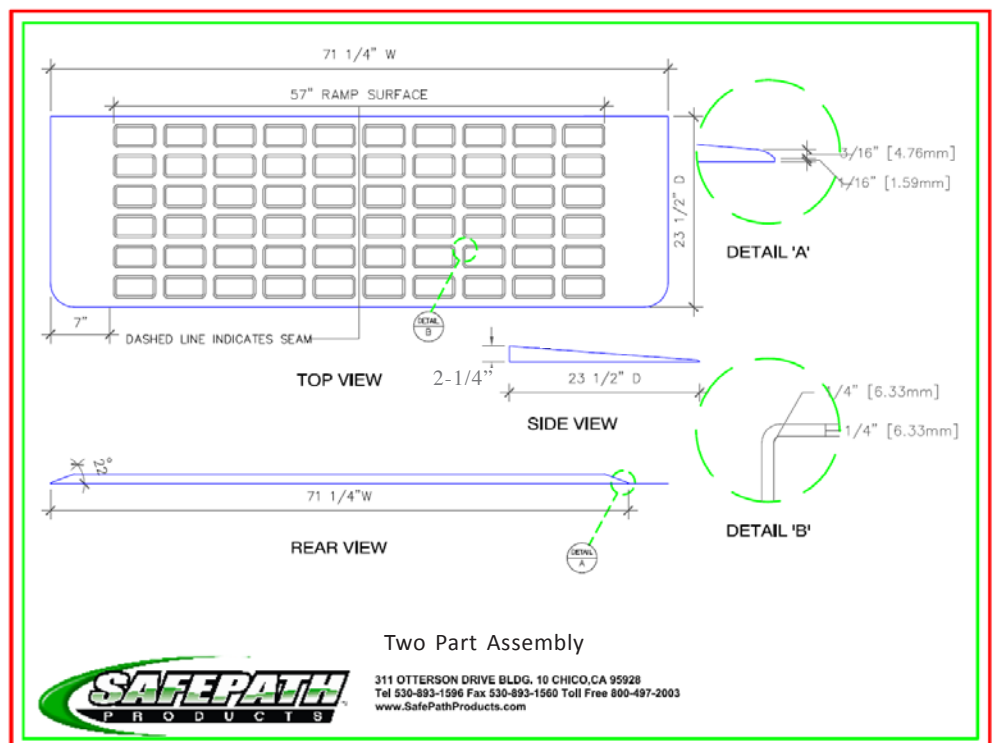
RAEZ 2160 2-1/4" H

Product Title: EZ Edge Transition
Model No. RAEZ 2160
UPC: 636585100769
Product Dimensions: 2-1/4" H x 23-1/2" D x 71-1/4" L
Carton Dimensions: 3-1/4" H x 25-1/2" W x 62-7/8" L
Freight Class: 55
Lead Time: 1-3 Business Days
Product Weight: 74 Lbs.
Ship Weight: 79.5 Lbs
Product Color: Black
MRSP:
Comments: Non-ADA Ramp Two Part Assembly D= Depth of Product



Made from 100% Recycled Rubber-perfect for exterior, interior, residential and commercial applications, these ramps have no load weight limitations, unlike aluminum ramp products.

MADE in the USA





EZ Edge Transitions™

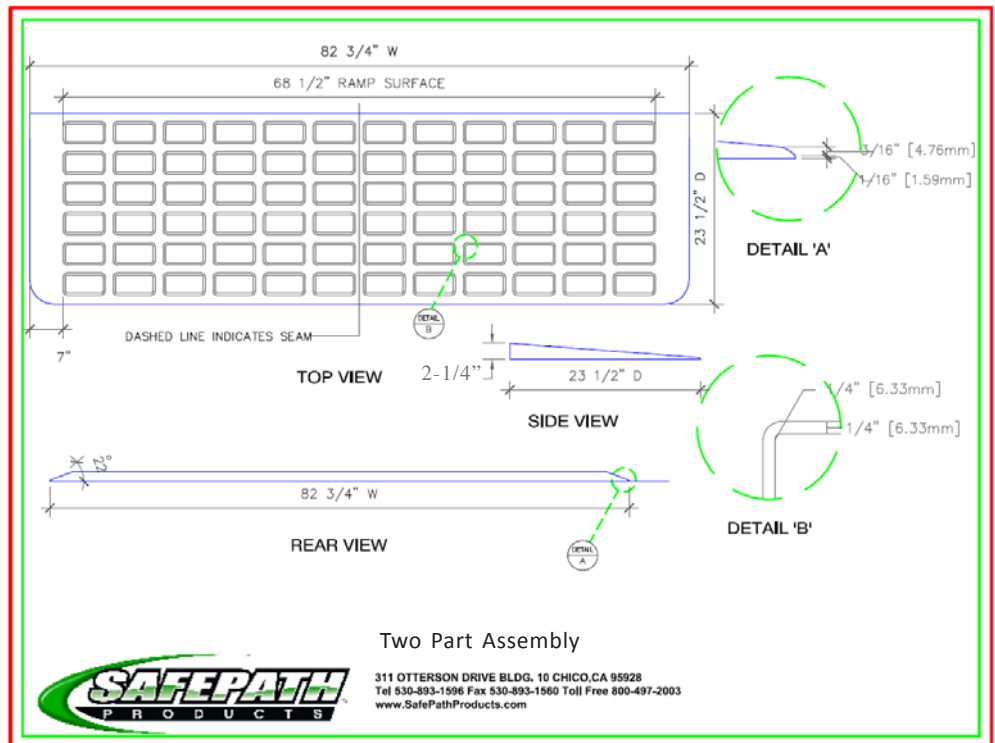
RAEZ 2170 2-1/4" H

Product Title: EZ Edge Transition
Model No. RAEZ 2170
UPC: 636585100776
Product Dimensions: 2-1/4" H x 23-1/2" D x 82-3/4" L
Carton Dimensions: 3-1/4" H x 25-1/2" W x 62-7/8" L
Freight Class: 55
Lead Time: 1-3 Business Days
Product Weight: 72 Lbs.
Ship Weight: 77.5 Lbs.
Product Color: Black
MRSP:
Comments: Non-ADA Ramp Two Part Assembly D= Depth of Product



Made from 100% Recycled Rubber-perfect for exterior, interior, residential and commercial applications, these ramps have no load weight limitations, unlike aluminum ramp products.

MADE in the USA

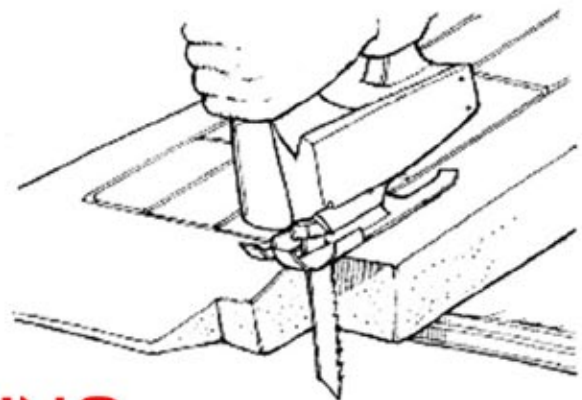




311 Otterson Drive, Suite 10
Chico, CA 95928
800.497.2003 Fax 530.893.1560
www.SafePathProducts.com

EZ Edge™ & StoneCap™ Threshold Ramp Installation Instructions

1. It is imperative that your substrate is CLEAN & FREE OF DEBRIS before beginning installation. A clean, dry substrate ensures maximum adhesion.
2. Dry fit the product by placing it flush against the threshold.
3. Use painter's tape to outline the ramp.
4. Remove ramp.
5. Generously apply adhesive to substrate. (We strongly recommend *SikaFlex 1a* brand adhesive). For best results, apply with a caulking gun, then use a notched cement/grout hand trowel to spread evenly.
6. Replace ramp onto adhesive surface.
7. Apply pressure to ramp evenly. Some glue may leak out onto tape.
8. After ramp is in place with adhesive, carefully remove painter's tape.
9. Excess adhesive can be cleaned from the substrate or product by applying acetone or paint thinner.



****Note:** Excess adhesive will stain clothing, shoes and carpet - immediately clean any excess.**

WARNING

DO NOT use a power circular saw to cut ramp product. The use of any electrical, battery, or pneumatic powered circular saw may result in serious injury due to unexpected binding, grabbing, or pinching of ramp material.

MATERIAL SAFETY DATA SHEET

IDENTITY (As used on label and list)

Rubber Transitions & Flat Stock

Section I

SafePath Products
311 Otterson Drive, Suite 10
Chico, CA 95928
FAX: 530-893-1560



www.SafePathProducts.com
info@safepathproducts.com

Emergency Telephone Number
530-893-1596

Telephone Number for Information
800-497-2003

Date Prepared
2/3/09

Signature of Preparer (Optional)

Polyurethane elastomers are fully reacted polymers, forming articles with are not considered hazardous under OSHA's criteria in 29CFR1910.1200.

Section II – Hazardous Ingredients/Identity Information

Hazardous Components (Specific Chemical Identity/Common Name(s))	OSHA PEL	ACGIH TLV	NIOSH REL	%(optional)
--	----------	-----------	-----------	-------------

None

Section III – Physical/Chemical Characteristics

Boiling Point	N/A	Specific Gravity (H2O=1)	N/A
Vapor Pressure (mm Hg.)	N/A	Melting Point	N/A
Vapor Density (AIR=1)	N/A	Evaporation Rate (Butyl Acetate=1)	N/A
Solubility in Water	N/A		
Appearance and Odor	N/A		

Section IV – Fire & Explosion Data

Flash Point (Method Used):	N/A	Flammable Levels:	LEL: N/A	UEL: N/A
Extinguishing Media:				
Special Fire Fighting Procedures:	Wear pressure demand self-contained breathing apparatus and protective clothing			
Unusual Fire and Explosion Hazard:	N/A			

Section V – Reactivity Data

Stability: Stable <input checked="" type="checkbox"/> Unstable <input type="checkbox"/>	Conditions to avoid: N/A		
Incompatibility (Materials to avoid):	N/A		
Hazardous Decomposition or Byproducts:	Oxides of Carbon and Nitrogen		
Hazardous Polymerization:	May Occur <input type="checkbox"/>	Will Not Occur <input checked="" type="checkbox"/>	Conditions to Avoid: N/A

Section VI – Health Hazard Data

Route(s) of Entry:	Inhalation? No	Skin? No	Ingestion? No
Health Hazards (Acute & Chronic):			
Carcinogenicity:	NTP? No	IARC Monographs? No	OSHA Regulated? No
Signs & Symptoms of Exposure:	N/A		
Medical Conditions Generally Aggravated by Exposure:	N/A		
Emergency & First Aid Procedures	N/A		

Section VII – Precautions for Safe Handling

Steps to be taken in case of material spillage or release:	N/A
Waste Disposal Method:	Dispose of in accordance with Federal, State and Local Environmental Regulations.
Precautions to be taken in Handling & Storing:	N/A
Other Precautions:	N/A

Section VIII – Control Measures

Respiratory Protection (Specify Type):	N/A			
Ventilation:	Local Exhaust: N/A	Mechanical (General): N/A	Special: N/A	Other: N/A
Protective Gloves:	N/A	Protective Eyewear:	N/A	
Other Protective Clothing or Equipment:	N/A			
Work/Hygiene/Maintenance Programs	N/A			

SECTION 09 6251

FLOORING TRANSITIONS – EZ Edge™ Transition Ramps

This section includes editing notes to assist the user in editing the section to suit project requirements. These notes are included as hidden text, and can be revealed or hidden by one of the following methods:

Microsoft Word 2007: Click the OFFICE button, select WORD OPTIONS, select DISPLAY, then select or deselect the HIDDEN TEXT option.

Microsoft Word (earlier versions): From the pull-down menus select TOOLS, then OPTIONS. Under the tab labeled VIEW, select or deselect the HIDDEN TEXT option.

Corel WordPerfect: From the pull-down menus select VIEW, then select or deselect the HIDDEN TEXT option.

PART 1 GENERAL

1.1 SUMMARY

- A. Section Includes:
 - 1. Flooring transitions at [entrances,] [doors,] [level landings,] [gymnasiums,] [ramps,] [showers,] [curbs,] [seismic transitions,] [service counters,] [and] [_____].
- B. Related Sections:
 - 1. Division 01: Administrative, procedural, and temporary work requirements.

1.2 REFERENCES

- A. Federal Register, 28 CFR - Americans with Disabilities Act and Accessibility Guidelines (ADAAG).
- B. American National Standards Institute (ANSI) A117.1 -2003 Accessible and Usable Buildings and Facilities (standard and Commentary).
- C. ASTM International (ASTM):
 - 1. C1026 - Standard Test Method for Measuring the Resistance of Ceramic Tile to Freeze-Thaw Cycling.
 - 2. C1028 - Standard Test Method for Determining the Static Coefficient of Friction of Ceramic Tile and Other Like Surfaces by the Horizontal Dynamometer Pull-Meter Method.
 - 3. D395 - Standard Test Methods for Rubber Property - Compression Set.
 - 4. D412 - Standard Test Methods for Vulcanized Rubber and Thermoplastic Elastomers - Tension.
 - 5. D2240 - Test Method for Rubber Property - Durometer Hardness.

1.3 SUBMITTALS

- A. Submittals for Review:
 - 1. Shop Drawings: Indicate transition locations, dimensions and relative floor heights.
 - 2. Product Data: Manufacturer's descriptive data, attributes and performance characteristics.
 - 3. Samples: [6] [] inch long samples showing each profile.
- B. Sustainable Design Submittals:
 - 1. Recycled Content.
 - 2. Regional Materials.
 - 3. Low-Emitting Materials.

1.4 QUALITY ASSURANCE

- A. Installer Qualifications: Minimum [2] [] years [documented] experience in work of this Section.
- B. Regulatory Requirements: Provide transition strips complying with [ADAAG.] [ANSI A117.1.] [applicable accessibility code.] [_____].
- C. Mockup:
 - 1. Size: One full-size transition.
 - 2. Locate [where directed.] [_____].
 - 3. Approved mockup may [not] remain as part of the Work.

1.5 WARRANTIES

- A. SafePath™ Products and Van Duerr Industries, Inc. warrants that their products will be free of any defect of material or workmanship for a period of (10) ten years from date of purchase. StoneCap™ coated surfaces are warranted against fading, peeling and delaminating in interior applications for (1) one year from date of purchase.

PART 2 PRODUCTS

2.1 MANUFACTURERS

- A. Contract Documents are based on SafePath™ Products by Van Duerr Industries, Inc. (www.SafePathProducts.com)
- B. Substitutions: [Under provisions of Division 01.] [Not permitted.]

2.2 MATERIALS

- A. [Transition Strips] [Landings] [Ramps] [and] [_____]:
 - 1. Composition: 100 percent reclaimed 20 mesh minus crumb rubber with urethane binders, formed by compression molding.
 - 2. Standard heights of single or multiple piece construction.
 - 3. Attributes:
 - a. Tensile strength: Minimum 630 PSI, tested to ASTM D412.
 - b. Compression: Maximum 7.84 percent, tested to ASTM D395.
 - c. Hardness: Shore A 65, tested to ASTM D2240.
 - d. Absorption: Maximum 0.75 percent, tested to ASTM C1026.
 - e. Density: 1.01 grams per cubic meter.
 - 4. Performance requirements:
 - a. Static coefficient of friction; tested to ASTM C1028:
 - 1) Dry: 0.95
 - 2) Wet: 0.79
 - b. Fixed angle walking: Static coefficient of friction of 0.50, tested for bare foot, Red Wing Iris walking shoes, Converse 2D 1292 tennis shoes, and Naturalizer 78ON73 wedge sandals; tested using male and female personnel facing up and down slope at angle of 27 degrees with running water.
 - 5. Surface coating: StoneCap.
 - a. Base material: Two component, rapid-curing, hand-applied, non-solvent adhesive coating.
 - b. Top coat: Single-component, rapid curing, clear, non-solvent polyurethane sealer.
 - 6. Profiles: As scheduled at end of Section.

2.3 ACCESSORIES

- A. Adhesive: Single-component, non-corrosive silicone type; Sikaflex-1a by Sika Corporation.
- B. Patching Compound: Type approved by transition manufacturer.

PART 3 EXECUTION

3.1 PREPARATION

- A. Prepare surfaces to receive transitions; remove dirt, oil, and loose and foreign matter that could impair adhesion.
- B. Fill cracks, holes, and voids over 1/2 inch in width with patching compound; finish flush with adjacent surfaces.
- C. Remove bumps and high spots.
- D. Abrade highly polished and waxed surfaces.
- E. Do not install transitions unless surfaces are dry and free from frost or moisture.

3.2 INSTALLATION

- A. Cut and fit transitions to meet installation conditions.
- B. Bevel, plane, or grind underside of transition when required to accommodate minor inconsistencies in substrate.
- C. After dry-fitting, apply adhesive to underside of transition; evenly spread using notched trowel. Allow to dry for 5 to 15 minutes, then position transition on substrate.
- D. Press to fully bond with substrate.

3.3 PROTECTION

- A. Protect installed transitions from traffic for minimum 4 hours after installation.

SCHEDULE

Use as Transitions: Reducers, Threshold Ramps, Shower Ramps, Door Threshold Barrier Removal,

Type SKU	Product Type	UPC Code#	Carton Dimensions	Products Weight (Lbs)	Ship Weight (Lbs)
RAEZ 0010	Ramp/ Transition	636585100103	2-1/2" (H) x 8-1/2" (W) x 43" (L)	3	4
RAEZ 0020	Ramp/ Transition	636585100110	2-1/2" (H) x 8-1/2" (W) x 43" (L)	3.5	4.5
RAEZ 0030	Ramp/ Transition	636585100127	2-1/2" (H) x 8-1/2" (W) x 43" (L)	4	5.5

RAEZ 0040	Ramp/ Transition	636585100134	2-1/2" (H) x 8-1/2" (W) x 43" (L)	5.5	6.5
RAEZ 0050	Ramp/ Transition	636585100141	2-1/2" (H) x 8-1/2" (W) x 43" (L)	5	6
RAEZ 0060	Ramp/ Transition	636585100158	2-1/2" (H) x 8-1/2" (W) x 43" (L)	6.5	7.5
RAEZ 0070	Ramp/ Transition	636585100165	2-1/2" (H) x 8-1/2" (W) x 43" (L)	7.5	8.5
RAEZ 0080	Ramp/ Transition	636585100172	2-1/2" (H) x 8-1/2" (W) x 43" (L)	9.5	10.5
RAEZ 0110	Ramp/ Transition	636585100189	2-1/2" (H) x 8-1/2" (W) x 43" (L)	7.5	8.5
RAEZ 0120	Ramp/ Transition	636585100196	2-1/2" (H) x 8-1/2" (W) x 43" (L)	10.5	11.5
RAEZ 0130	Ramp/ Transition	636585100202	2-1/2" (H) x 8-1/2" (W) x 43" (L)	12.5	14
RAEZ 0140	Ramp/ Transition	636585100219	2-1/2" (H) x 8-1/2" (W) x 43" (L)	13.5	15.5
RAEZ 1110	Ramp/ Transition	636585100226	5-3/4" (H) x 12-3/4" (W) x 45" (L)	14	16
RAEZ 1120	Ramp/ Transition	636585100233	5-3/4" (H) x 12-3/4" (W) x 45" (L)	22	24
RAEZ 1130	Ramp/ Transition	636585100240	5-3/4" (H) x 12-3/4" (W) x 45" (L)	25.5	28
RAEZ 1140	Ramp/ Transition	636585100257	5-3/4" (H) x 12-3/4" (W) x 45" (L)	29	31
RAEZ 1150	Ramp/ Transition	636585100264	5-3/4" (H) x 12-3/4" (W) x 45" (L)	8	10
RAEZ 1160	Ramp/ Transition	636585100271	5-3/4" (H) x 12-3/4" (W) x 45" (L)	11	13
RAEZ 1170	Ramp/ Transition	636585100288	5-3/4" (H) x 12-3/4" (W) x 45" (L)	12.5	15
RAEZ 1180	Ramp/ Transition	636585100295	5-3/4" (H) x 12-3/4" (W) x 45" (L)	14.5	17
RAEZ 1310	Ramp/ Transition	636585100301	2-1/4" (H) x 18-5/8" (W) x 53" (L)	24.5	27
RAEZ 1320	Ramp/ Transition	636585100318	2-1/4" (H) x 18-5/8" (W) x 53" (L)	29	31
RAEZ 1330	Ramp/ Transition	636585100325	2-1/4" (H) x 18-5/8" (W) x 53" (L)	34	36
RAEZ 1340	Ramp/ Transition	636585100332	2-1/4" (H) x 18-5/8" (W) x 53" (L)	40	43
RAEZ 1350	Ramp/ Transition	636585108093	2-1/4" (H) x 18-5/8" (W) x 53" (L)	46	49
RAEZ 1510	Ramp/ Transition	636585100349	2-1/4" (H) x 18-5/8" (W) x 53" (L)	34	36

RAEZ 1520	Ramp/ Transition	636585100356	2-1/4" (H) x 18-5/8" (W) x 53" (L)	41	43
RAEZ 1530	Ramp/ Transition	636585100363	2-1/4" (H) x 18-5/8" (W) x 53" (L)	48	50
RAEZ 1540	Ramp/ Transition	636585100370	2-1/4" (H) x 18-5/8" (W) x 53" (L)	55	57
RAEZ 1550	Ramp/ Transition	636585108109	2-1/4" (H) x 18-5/8" (W) x 53" (L)	62	64
RAEZ 2100	Ramp/ Transition	636585100387	3-1/4" (H) x 25-1/2" (W) x 62-7/8" (L)	52	56
RAEZ 2120	Ramp/ Transition	636585100394	3-1/4" (H) x 25-1/2" (W) x 62-7/8" (L)	66	70
RAEZ 2130	Ramp/ Transition	636585100400	3-1/4" (H) x 25-1/2" (W) x 62-7/8" (L)	72	76
RAEZ 2150	Ramp/ Transition	636585100752	3-1/4" (H) x 25-1/2" (W) x 62-7/8" (L)	60	6.5
RAEZ 2160	Ramp/ Transition	636585100769	3-1/4" (H) x 25-1/2" (W) x 62-7/8" (L)	74	79.5
RAEZ 2170	Ramp/ Transition	636585100776	3-1/4" (H) x 25-1/2" (W) x 62-7/8" (L)	80	85.5